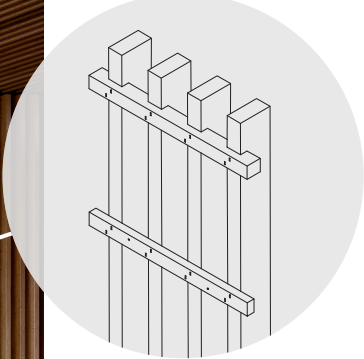


**new** WOODWORKS® Grille – Forté  
Solid Wood Wall Panels with Notched Backers



**SUSTAIN®**  
High Performance  
Sustainable  
Ceiling Systems

CAD/Revit® drawings at:  
[armstrongceilings.com/cadrevit](http://armstrongceilings.com/cadrevit)



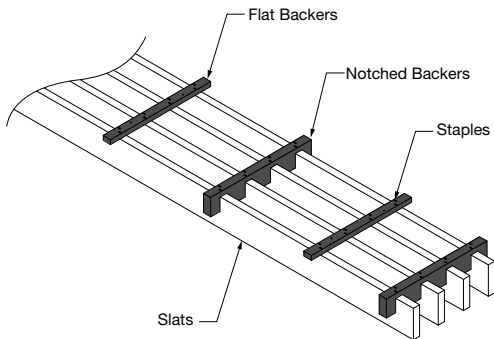
WoodWorks Grille – Forté solid 5-slat panels, 1" W x 2-1/4" H in 48", 72", & 96" lengths in Red Oak (GRK)

The inimitable beauty of solid wood combines with on-trend finishes to offer the industry's largest selection of standard grille designs.

**KEY SELECTION ATTRIBUTES**

- Over 20 standard solid wood panel configurations in 4', 6', and 8' lengths to minimize the need for customization
- Panels are part of the Sustain® portfolio and meet the most stringent industry sustainability compliance standards today
- 11 on-trend standard finishes on solid poplar are tinted to replicate naturally occurring wood tones
- Enhanced structural design with notched alignment backers minimize the naturally occurring twist of solid wood and improves handleability during install
- Coordinating solid wood trims in 4" and 6" depths
- The natural warmth of wood can contribute to biophilic designs and building certification standards like the WELL™ v2 "Nature and Place" feature
- Install in the ceiling, on the wall, or create ceiling-to-wall transitions
- Centered backers allow for a non-directional install, providing flexibility in install layout and clean accessibility
- CleanAssure™ family of products – includes disinfectable panels, suspension systems, and trim
- Premium options include FSC®-certified solid wood, fleece backer, additional tinted finishes, and flexible backers for wall-to-ceiling transitions
- Custom options include unique panel configurations and lengths and additional species and finishes. Contact ASQuote@armstrongceilings.com

**SOLID PANEL BACKER DETAIL**



TechLine 877 276-7876  
[armstrongceilings.com/woodworksgrille](http://armstrongceilings.com/woodworksgrille)

**Armstrong®**  
World Industries

**new** WOODWORKS® Grille – Forté  
Solid Wood Wall Panels with Notched Backers



LEED WELL LBC

energy management	construction waste mgmt.	regional materials	design for flexibility	EPD	recyclables/extended producer resp.	biobased materials	FSC® (for wood)	recycled content	sourcing of low materials	material ingredient reporting	low emitting materials	lighting quality	acoustics
LOCATION DEPENDENT					PREMIUM OPTION					WITH INFILL PANEL			

For LEED contribution contact TechLine

DESIGNING WITH NATURE



Custom Grille installation with biophilic design

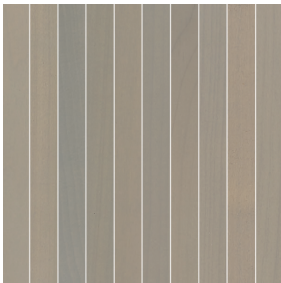
Incorporating nature into a built environment, whether living plants or natural wood finishes, enhances indoor environmental quality (IEQ).

With 90% of our time spent indoors, it's beneficial to occupant well-being to bring the outdoors in. Wood interiors contribute to any biophilic design, connecting us with nature and offering a natural warmth and comfort. Inspired by nature and made of natural elements, aesthetically pleasing wood finishes store carbon.

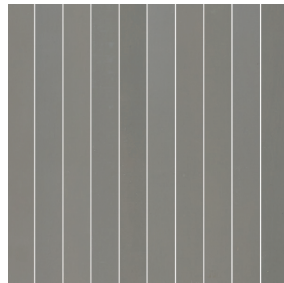
EMBRACING THE BEAUTY OF NATURAL WOOD

Our tinted finishes allow the natural character of the poplar to shine through. The images here reflect the visual range that is likely within our product. Installers will want to lay out panels before installing to achieve preferred aesthetic.

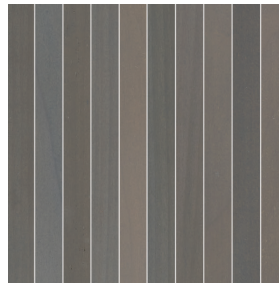
Finish Ranges on Solid Poplar



Bleached Grey (GBG)



Classic Grey (GCG)



Carbon Grey (GCB)



Rich Mahogany (GRY)



Antique Oak (GAO)



Red Oak (GRK)



English Chestnut (GEC)



Golden Maple (GGM)



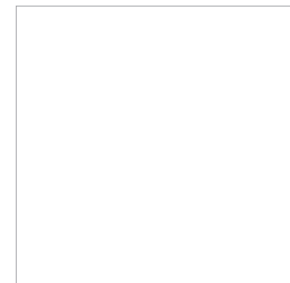
Natural Walnut (GWN)



Warm Oak (GWO)

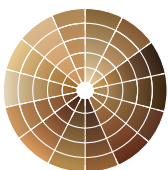


Forest Walnut (GFW)



White (GWH)\*

Due to printing limitations, shade may vary from actual product.  
\* Painted White finish is not included in the Sustain® portfolio.



Made-to-order, custom backer colors available.

Custom Wood Species and Finishes Available

TechLine 877 276-7876  
armstrongceilings.com/woodworksgrille

**Armstrong®**  
World Industries

PARTITIONS & WALLS





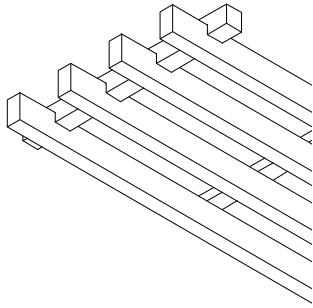
# WOODWORKS® Grille – Forté

Solid Wood Wall Panels with Notched Backers

STANDARD PANEL CONFIGURATIONS 12" width, 3/4" slat (Available in 4', 6', and 8' nominal lengths)

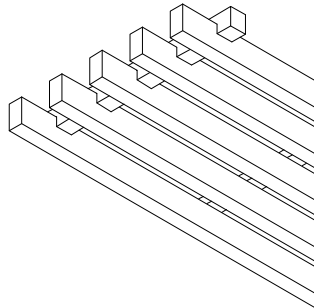
### 3/4" SLAT WIDTH

4 Slats Per Panel  
75% Open Area



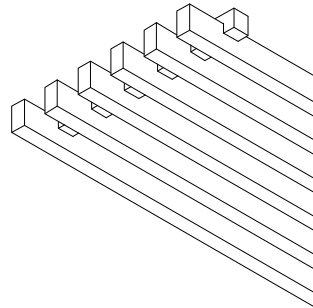
Item 6324L \_ S01 \_ \_ \_ ◆

5 Slats Per Panel  
69% Open Area



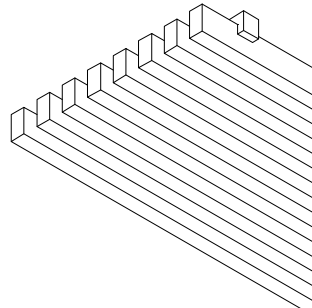
Item 6325L \_ S01 \_ \_ \_ ◆

6 Slats Per Panel  
63% Open Area



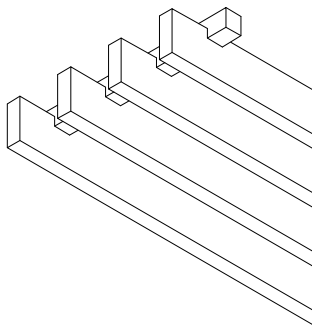
Item 6326L \_ S01 \_ \_ \_ ◆

8 Slats Per Panel  
50% Open Area

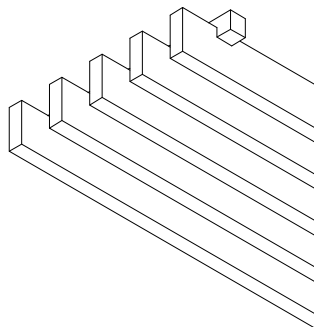


Item 6328L \_ S01 \_ \_ \_ ◆

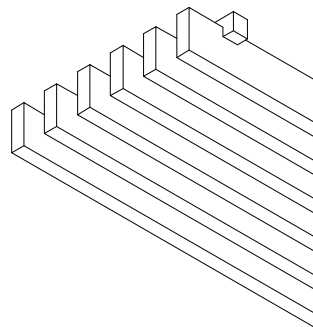
1-3/8" SLAT HEIGHT



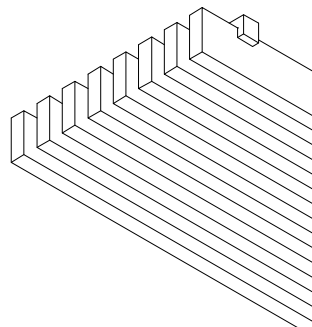
Item 6324L \_ S02 \_ \_ \_ ◆



Item 6325L \_ S02 \_ \_ \_ ◆



Item 6326L \_ S02 \_ \_ \_ ◆



Item 6328L \_ S02 \_ \_ \_ ◆

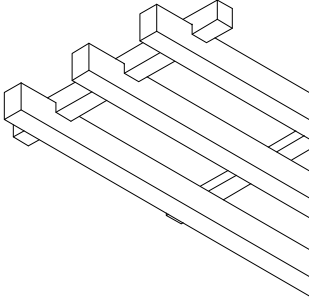
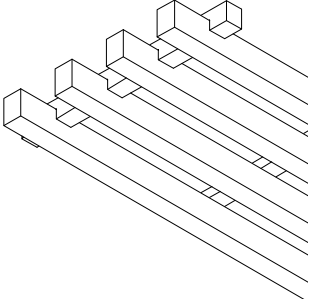
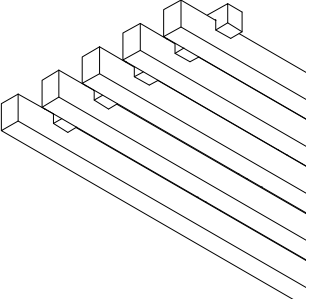
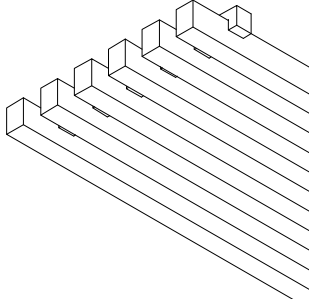
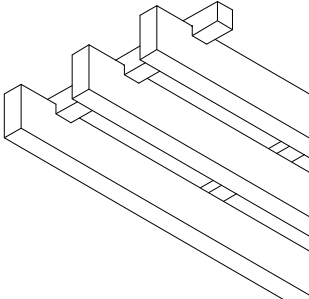
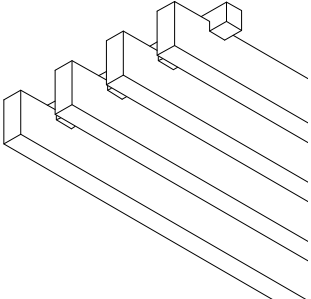
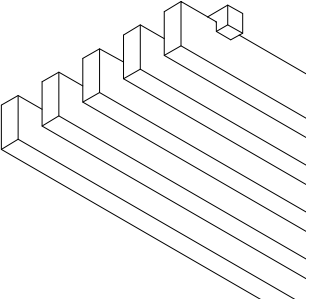
2-1/4" SLAT HEIGHT

◆ When specifying or ordering please include the slat length (4, 6, or 8) and finish suffix (e.g., 6324L 8 S01 G B G - 4 slats, 3/4 x 96 x 1-3/8" in Bleached Grey).



**new** WOODWORKS® Grille – Forté  
Solid Wood Wall Panels with Notched Backers

STANDARD PANEL CONFIGURATIONS 12" width, 1" slat (Available in 4', 6', and 8' nominal lengths)

		1" SLAT WIDTH			
		3 Slats Per Panel 75% Open Area	4 Slats Per Panel 67% Open Area	5 Slats Per Panel 58% Open Area	6 Slats Per Panel 50% Open Area
1-3/8" SLAT HEIGHT					
	Item 6323L _ S05 _ _ _ ◆	Item 6324L _ S05 _ _ _ ◆	Item 6325L _ S05 _ _ _ ◆	Item 6326L _ S05 _ _ _ ◆	
2-1/4" SLAT HEIGHT					
	Item 6323L _ S06 _ _ _ ◆	Item 6324L _ S06 _ _ _ ◆	Item 6325L _ S06 _ _ _ ◆		

◆ When specifying or ordering please include the slat length (4, 6, or 8) and finish suffix (e.g., 6324L @ S05 @ F W – 4 slats, 1 x 42 x 1-3/8" in Forest Walnut).







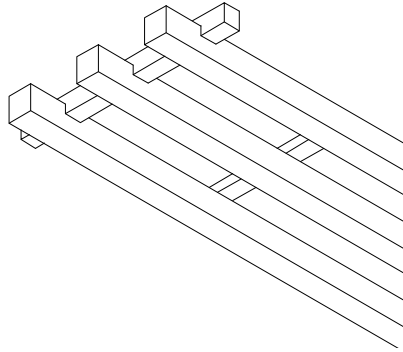
# WOODWORKS® Grille – Forté

Solid Wood Wall Panels with Notched Backers

STANDARD PANEL CONFIGURATIONS 12" width, 1-1/4" slat (Available in 4', 6', and 8' nominal lengths)

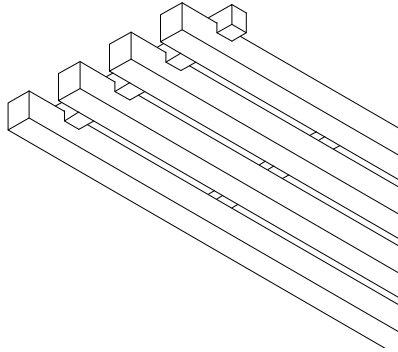
## 1-1/4" SLAT WIDTH

3 Slats Per Panel  
69% Open Area



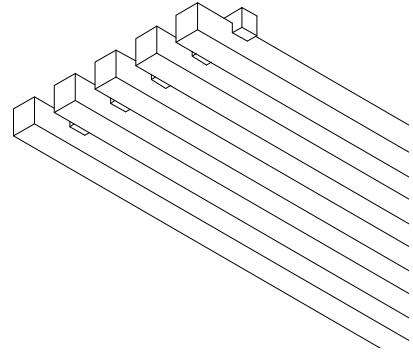
Item 6323L \_ S09 \_ \_ \_ ◆

4 Slats Per Panel  
58% Open Area



Item 6324L \_ S09 \_ \_ \_ ◆

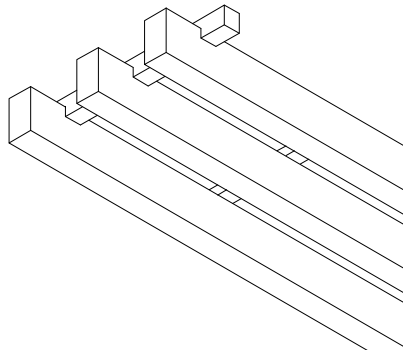
5 Slats Per Panel  
48% Open Area



Item 6325L \_ S09 \_ \_ \_ ◆

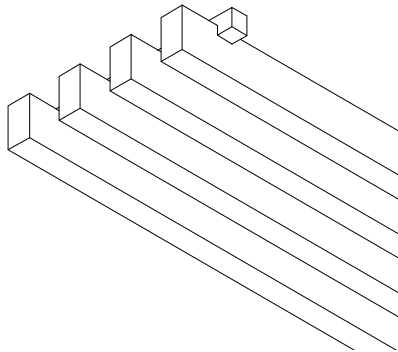
1-3/8" SLAT HEIGHT

3 Slats Per Panel  
69% Open Area



Item 6323L \_ S10 \_ \_ \_ ◆

4 Slats Per Panel  
58% Open Area



Item 6324L \_ S10 \_ \_ \_ ◆

2-1/4" SLAT HEIGHT

◆ When specifying or ordering please include the slat length (4, 6, or 8) and finish suffix (e.g., 6323L g S09 Q F W – 4 slats, 1-1/4 × 96 × 1-3/8" in Warm Oak).







# WOODWORKS® Grille – Forté

## Solid Wood Wall Panels with Notched Backers



Declare



For LEED contribution contact TechLine

energy management	construction waste mgmt	regional materials	design for flexibility	EPD	recyclables/extended producer resp.	biobased materials	FSC® (for wood)	recycled content	sourcing of raw materials	material ingredient reporting	low emitting/ materials	lighting quality	acoustics
LOCATION DEPENDENT					PREMIUM OPTION				WITH INFILL PANEL				

### ACCESSORIES

	Item No. ♦	Description	Dimensions Nominal W x L x H (inches)	Color	Pcs/Ctn
Accessories	5687	Backer Clip	3/8 x 11/16 x 7/8"	Black	250
	7290GBL	Flat Backer Kit	7/8 x 12 x 1/2"	Black	18
	5457GAL1 _ _ _	WoodWorks® Solid End-Stain (Gallon)	-	All Finishes	1 Gallon
	5457QT1 _ _ _	WoodWorks Solid End-Stain (Quart)	-	All Finishes	1 Quart
Perimeter Trim	7146H4L96 _ _ _	4" Solid Wood Trim with 4 Clips	3/4 x 96 x 4"	All Finishes	
	7146H6L96 _ _ _	6" Solid Wood Trim with 4 Clips	3/4 x 96 x 6"	All Finishes	
	5925	Replacement Trim Clips		Mill Finish	25
	7239	Adjustable Trim Clip	-	Mill Finish	
	AX_VESTR _ _ _	Axiom® Vector Straight Trim - Recommend in Black 6" and up		Silver Grey, Black, Gun Metal	10 LF
	AX_VECUR _ _ _	Axiom Vector Curved Trim - Recommend in Black 6" and up		Silver Grey, Black, Gun Metal	10 LF

♦ When specifying or ordering please include the 3-letter color suffix that coordinates with your WoodWorks wall: (e.g., 5457GAL1 G B G).

