

# SEISMIC RX® Code Compliant Solution

## Suspension Systems ICC-ESR-1308

**LEED® WELL™ LBC**

**30% RECYCLED CONTENT**

energy management  
construction waste mgmt  
regional materials  
design for flexibility  
EPD  
recyclable/extended producer resp.  
biobased materials  
recycled content  
sourcing of raw materials  
material ingredient reporting  
low emitting materials  
lighting quality  
acoustics

Calculate sustainability with Green Genie™  
armstrongceilings.com/greengenie

LOCATION DEPENDENT



### KEY SELECTION ATTRIBUTES

- Armstrong Seismic Rx Suspension System Saves Time and Money

#### IBC Category C:

- Easier to square the system by installing tight to adjacent walls
- Tighter, more secure installation
- Eliminate stabilizer barside corner and outside corner posts available

#### IBC Category D, E, F:

- Reduce material costs by using 7/8" molding
- Eliminate stabilizer bars
- Eliminate installation hassles from 2" wall molding

ICC-ES Recognizes the Armstrong Seismic Rx Suspension System as a Code Compliant Solution

The independent and expert evaluation and confirmation by ICC-ES provides the code official with proven evidence supporting the Armstrong Seismic Rx Suspension System as a code-compliant alternative design to current IBC requirements.

Please visit [www.icc-es.org](http://www.icc-es.org) for a copy of the ESR report.

### COMPONENTS

Suspension Systems	Categories D, E and F	Category C
PRELUDE® XL® 15/16" Exposed Tee System	Heavy-duty	Intermediate-duty
PRELUDE XL Fire Guard™ 15/16" Exposed Tee System	Heavy-duty	Intermediate-duty
PRELUDE XL 15/16" Environmental Tee System	Heavy-duty	Intermediate-duty
SILHOUETTE® XL 1/4" Reveal 9/16" Bolt Slot System	Heavy-duty	Intermediate-duty
SILHOUETTE XL 1/8" Reveal 9/16" Bolt Slot System	Heavy-duty	Intermediate-duty
SUPRAFINE® XL 9/16" Exposed Tee System	Heavy-duty	Intermediate-duty
SUPRAFINE XL Fire Guard 9/16" Exposed Tee System	Heavy-duty	Intermediate-duty
INTERLUDE® XL 9/16" Dimensional Tee System	Heavy-duty	Intermediate-duty
AL PRELUDE PLUS XL 15/16" Environmental Tee System		Intermediate-duty
SS PRELUDE PLUS XL 15/16" Environmental Tee System		Intermediate-duty

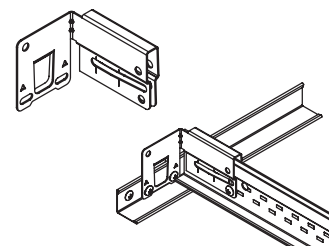
### MOLDINGS

	Item No.	Description	Length	(A) Flange	(B) Flange	(C) Flange	Pcs./ Ctn.	Lin. Ft./ Ctn.
Angle molding	7800	144" hemmed with prefinished exposed flanges	144"	7/8"	7/8"	–	30	360
	7802	120" hemmed with prefinished exposed flanges	120"	7/8"	7/8"	–	30	300
	7803	144" hemmed with prefinished exposed flanges	144"	7/8"	7/8"	–	30	360
	7809	144" hemmed with prefinished exposed flanges	144"	15/16"	15/16"	–	30	360
	HD7801	120" hemmed with prefinished exposed flanges	120"	7/8"	7/8"	–	30	300
	780036	144" hemmed with prefinished exposed flanges	144"	7/8"	7/8"	–	30	360
Shadow molding	7823	120" hemmed with prefinished exposed flanges	120"	2"	1-1/4"	3/4"	10	100
	7877	120" compatible with BERK and BERK2	120"	15/16"	15/16"	1/4"	30	300
	7878	120" compatible with BERK and BERK2	120"	15/16"	15/16"	3/8"	30	300
	7897	120" compatible with BERK and BERK2	120"	15/16"	15/16"	1/2"	30	300

### ACCESSORIES

2" Beam End Retaining Clip – Joins main beam or cross tee to wall molding and web of suspension system with no visible pop rivets.

ALBERC2 (aluminum) – 200 pcs  
FZALBERC2 (aluminum) – 50 pcs  
BERC2 (steel) – 200 pcs



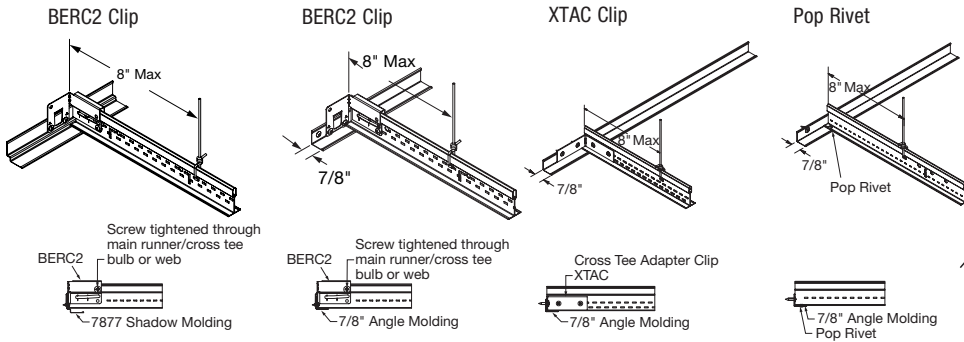
# SEISMIC RX® Code Compliant Solution

Suspension Systems ICC-ESR-1308

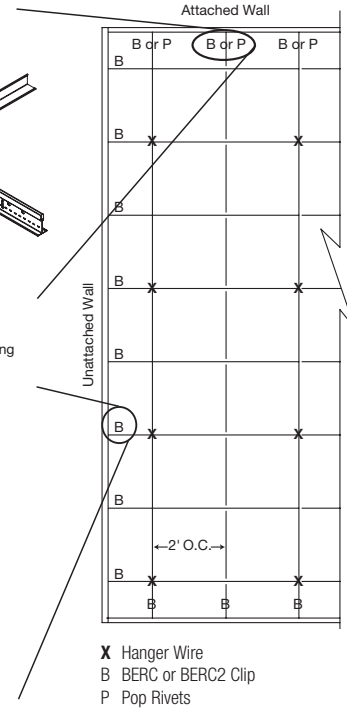
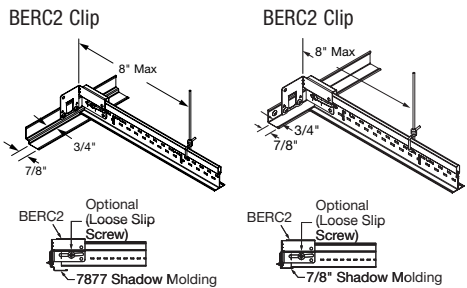
## INSTALLATION GUIDELINES

### CATEGORY D, E, F

#### Attached Wall



#### Unattached Wall



### CATEGORY C

