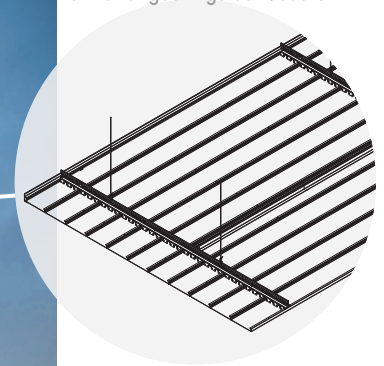


METALWORKS™ Linear – Synchro®

Interior & Exterior
smooth texture



CAD/Revit® drawings at:
armstrongceilings.com/cadrevit



plus capabilities
to do more



MetalWorks Linear – Synchro unperforated, 6" planks in Effects Ginger

armstrongceilings.com/capabilities
See more photos at:
armstrongceilings.com/photogallery

Durable metal ceiling and wall system that provides a monolithic, no reveal look in a variety of sizes and finishes for interior and exterior applications.

KEY SELECTION ATTRIBUTES

- new** • Nominal 2", 4", 6", & 9" wide, M1 only, planks now available for exterior applications in four standard metal finishes and 17 Effects™ finishes
- Available for exterior applications on M1 planks, tested to meet wind uplift Classes 30, 60, and 90
- Planks easily snap into upper hooks of new Main Beam Carrier 2 (item 7277MF)
- new** • Discontinuous ceilings possible with Axiom® trim or coordinating Effects trim using the Adjustable Trim Clip
- CleanAssure™ family of products – includes disinfectable planks, suspension systems, and trim
- new** • Popular linear lighting options for sleek, coordinated visual by XAL®, Axis, Backlight. See "Compatible Lights" table in install instructions for details.
- Planks and suspension system tested and approved for seismic areas per ASTM E580, AC 156 Acceptance Criteria for Seismic Qualification Testing of Non-structural Components, and ASTM 3118
- Integrate with pre-engineered Axiom® Indirect Field Light Covers for Specialty Ceilings to achieve predictable lighting performance
- new** • Achieve high sound absorption for interiors with microperforated planks – 0.70 NRC
- Install 4", 6", & 9" wide Linear – Synchro planks on interior wall applications horizontally or vertically with no additional clips or brackets needed



Also Available for Walls!

METALWORKS™ Linear – Synchro®

Interior & Exterior
smooth texture

LEED® WELL | LBC

58% RECYCLED CONTENT

For LEED contribution contact TechLine

energy management	construction waste mgmt	regional materials	design for flexibility	EPD	recyclable/producer resp.	biobased materials	recycled content	sourcing of raw materials	material ingredient reporting	low emitting materials	lighting quality	acoustics

LOCATION DEPENDENT

WHITE ONLY WITH INFILL PANEL

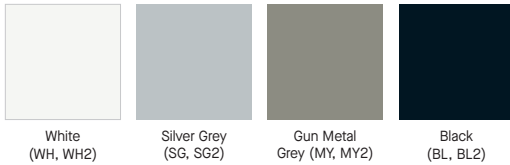


MetalWorks™ Linear – Synchro® 9" planks in Effects™ Nutmeg

STANDARD COLORS & FINISHES

Due to printing limitations, shade may vary from actual product.

MetalWorks™ (Interior, Exterior)



Effects™ Classic (Interior, Exterior) Dye-Sublimation



new Effects™ Bold (Interior, Exterior) Dye-Sublimation

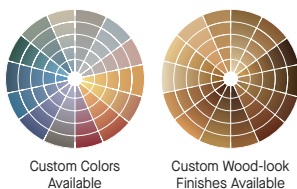


new Effects™ Subtle (Interior, Exterior) Dye-Sublimation



CUSTOM COLORS & FINISHES

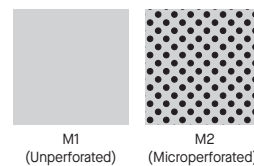
Due to printing limitations, shade may vary from actual product.



For custom options contact ASQuote,
ASQuote@armstrongceilings.com

PERFORATION OPTIONS

(1:2 scale shown)



METALWORKS™ Linear – Synchro®

Interior & Exterior
smooth texture

LEED WELL LBC

58% RECYCLED CONTENT

For LEED contribution contact TechLine

LOCATION DEPENDENT

WHITE WITH ONLY INFILL PANEL

VISUAL SELECTION

Item No. ♦	Description	Dimensions Nominal W x L x D (Inches) Custom Sizes Available	Module Width (Inches)
METALWORKS™ Linear – Synchro® Planks 8223W02	2" Plank	2 × 96 × 1"	2.25"
8223W04	4" Plank	4 × 96 × 1"	4.50"
8223W06	6" Plank	6 × 96 × 1"	6.75"
8223W09	9" Plank	9 × 96 × 1"	9.00"

♦ When specifying or ordering, include the appropriate 2-letter perforation suffix and 2- or 4-letter color suffix (e.g., 8223W04 M1 E X C H, 8223W09 M2 S G).
NOTE: When specifying or ordering exterior finishes, place a "2" after the item color suffix (e.g., 8223W02M1 S G 2).

PERFORMANCE

Dots represent high level of performance.

Fire Performance	Light Reflect (M1 White only)	CleanAssure™ Disinfectable Planks							DURABILITY				Acoustics (M2 Perf only)
		Fog	Spray	Wipe	Wash	Scrub	Impact	Scratch	Soil				
Class A	0.83	•	•	•	•	•	•	•	•	•	•	•	0.70
Class A	0.83	•	•	•	•	•	•	•	•	•	•	•	0.70
Class A	0.83	•	•	•	•	•	•	•	•	•	•	•	0.70
Class A	0.83	•	•	•	•	•	•	•	•	•	•	•	0.70

SUSPENSION SYSTEM & ACCESSORIES

	Item No. ♦	Description	Dimensions (Inches) Nominal W x L x H	Color	Pieces/Carton
Suspension Systems	7277MF	Main Beam Carrier 2 (MBC2) – G90 Mill Finish	144 × 1-3/4 × 2-3/4"	N/A	10
	XL8926	2" Drywall Cross Tee	24 × 1-1/2 × 1-1/2"	N/A	36
	XL8926G90	2" Drywall Cross Tee - Exterior	24 × 1-1/2 × 1-1/2"	N/A	36
Wall-to- Wall Installations	8161	Pressure Spring	N/A	N/A	50
	7113	Spreader Hold Down	N/A	N/A	40
	BERC2	Beam End Retaining Clip	N/A	N/A	200
	5574	Carrier Molding	120 × 1 × 1"	WH, SG, MY, BL and all Effects Wood Looks	10
	7800	Hemmed Angle Molding	144 × 7/8 × 7/8"	WH, BL	30
	HD7801G90	10' Hemmed Angle Molding – Exterior	120 × 7/8 × 7/8"	N/A	30
	Floating Cloud Installations	AX6VESTR	Axiom® Vector® Trim – 6" Straight	3/4 × 120 × 6"	WH, SG, MY, BL*
AX6VECUR		Axiom® Vector® Trim – 6" Curved	Vary x 3/4 × 5-13/16"	WH, SG, MY, BL*	N/A
AX6STR		Axiom® Classic Trim – 6" Straight	3/4 × 120 × 6"	WH, SG, MY, BL*	N/A
AX6CUR		Axiom® Classic Trim – 6" Curved	3/4 × 5-13/16"	WH, SG, MY, BL*	N/A
7239		Adjustable Trim Clip	2-1/2 × 2-1/2 × 1-1/4"	N/A	25
5344		4" Effects Wood Looks Trim	Nominal 120" length	All Effects™ Wood Looks	6
5346		6" Effects Wood Looks Trim	Nominal 120" length	All Effects™ Wood Looks	6
Other Accessories	FXSPTHDC	Hold-Down Clip for Cut Panel Installations	N/A	N/A	10
	7237S3	Synchro Cut Plank Bracket	2-1/2 × 2-1/2 × 1-1/4"	N/A	50

* Items with the same finish name will coordinate but may not be an exact color match.
♦ When specifying or ordering, include the appropriate letter color suffix (e.g., 8233W02M1 B L, 8233W02M1 E X C H).
NOTE: When specifying or ordering exterior finishes for suspension system components, place a "2" after the item color suffix (e.g., 5574 W H 2).

ACCESSORIES

Item No. ♦	Description	Pieces/ Carton	Finish Selection	Item No.	Description	Pieces/ Carton	Finish Selection
8233W02M1	2" End Cap	10	WH, SG, MY, BL, and all Effects™ Wood Looks	8243W02	2" Splice Plate	10	N/A
8233W04M1	4" End Cap	10	WH, SG, MY, BL, and all Effects™ Wood Looks	8243W04	4" Splice Plate	10	N/A
8233W06M1	6" End Cap	10	WH, SG, MY, BL, and all Effects™ Wood Looks	8243W06	6" Splice Plate	10	N/A
8233W09M1	9" End Cap	10	WH, SG, MY, BL, and all Effects™ Wood Looks	BERC2	BERC 2 Clip	200	BL
				XTACAG	XTAC Clip	200	BL
				GCWA	GCWA Clip	250	BL

♦ When specifying or ordering, include the appropriate 2- or 4-letter color suffix (e.g., 8233W04M1 W H, 8233W04M1 E X C H).



METALWORKS™ Linear – Synchro®

Interior & Exterior
smooth texture

LEED® WELL™ LBC

58%

RECYCLED CONTENT

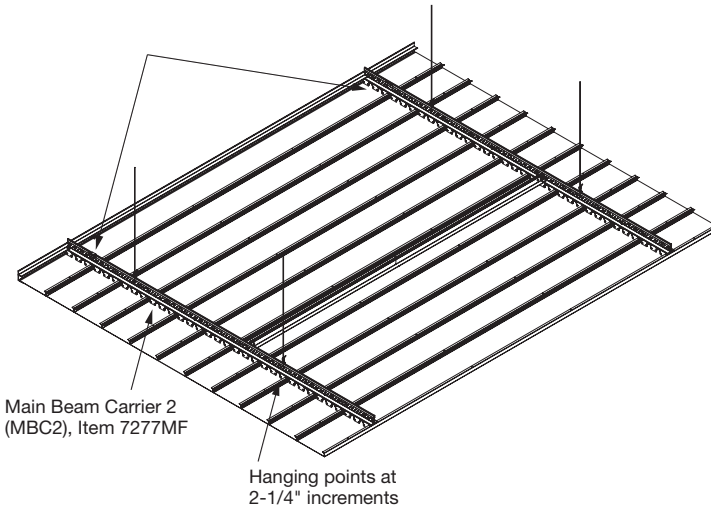
For LEED contribution contact TechLine

energy management	construction waste mgmt	regional materials	design for flexibility	EPD	recyclable/producer resp.	biobased materials	recycled content	sourcing of raw materials	material ingredient reporting	low emitting materials	lighting quality	acoustics
✔	✔	✔	✔	✔	✔	✔	✔	✔	✔	✔	✔	✔

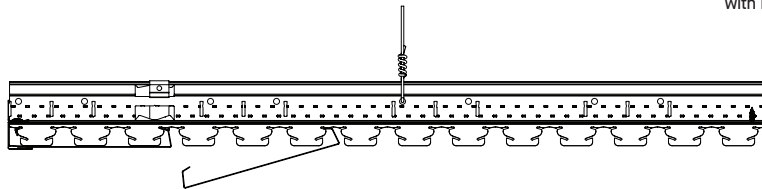
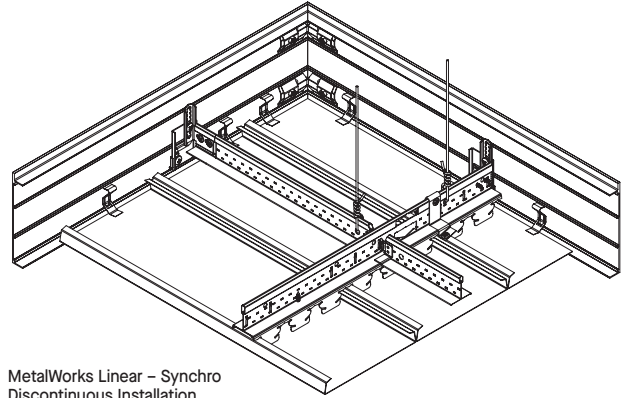
LOCATION DEPENDENT

WHITE WITH ONLY INFILL PANEL

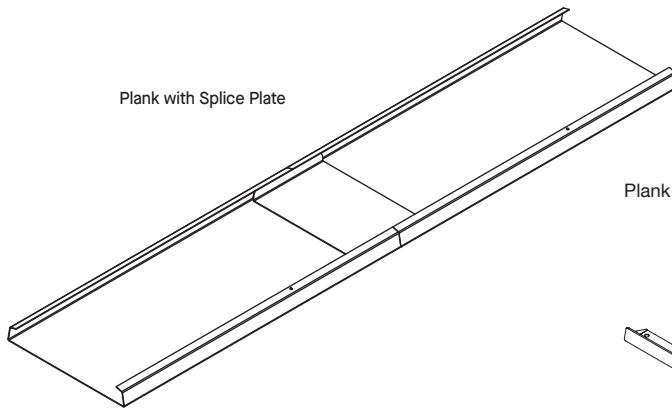
INSTALLATION DETAILS – CEILINGS



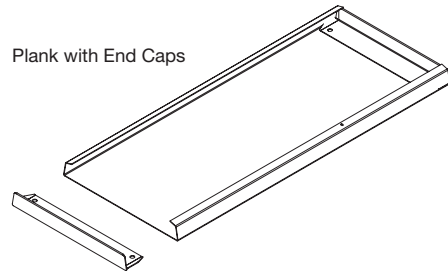
MBC2 Carrier for Synchro™ installed 24" O.C.



Plank with Splice Plate



Plank with End Caps



PHYSICAL DATA

Material

Electrogalvanized Steel – thickness 0.028"

Surface Finish

Available in White, Silver Grey, Gun Metal Grey, Tech Black, and Effects™ Wood Looks powder-coated, post-production finishes for both interior and exterior applications. Other colors are available as custom. Contact ASQuote@armstrongceilings.com for custom requests.

Plank Reveal

MetalWorks Linear – Synchro planks have a butt joint installation with no reveal between planks for a monolithic visual.

Fire Performance

Class A: ASTM E84 and CAN/ULC S102. Flame Spread Index 25 or less. Smoke Developed Index 50 or less.

Design Considerations

While we strive to ensure exact color matches, various factors such as differences in materials and painting processes can affect how colors appear on ceiling and wall panels, suspension systems, and trim products. Due to these and other differences, items with the same finish name will coordinate but may not be an exact color match.

Wind Uplift Performance

All panels tested for wind uplift Classes 30, 60, and 90. Specific installation recommendations to meet these wind classes are available. Exterior available in unperforated panels only. For more information, contact TechLine at 1 877 276 7876

ASTM E1264 Classification

Fire Class – Class A
Unperforated – Type XX, Form 2, Pattern G
Perforated – Type XX, Form 2, Pattern C

Seismic Restraint

MetalWorks Linear – Synchro planks have been engineered, tested, and approved for application in all seismic areas when installed per Armstrong Ceilings installation instructions.

When installed properly, both planks and suspension have been tested to stay in place through vibrations and other seismic events.

Cleaning and Disinfecting

Cleaning and CDC approved disinfecting options available on armstrongceilings.com/cleaning

Warranty

Details at armstrongceilings.com/warranty

Weight; Pieces and Square Feet/ Carton

8223W02 – 3.5 lbs/pc; 16 pcs/ctn; 24 SF/ctn
8223W04 – 4.45 lbs/pc; 12 pcs/ctn; 36 SF/ctn
8223W06 – 6.05 lbs/pc; 8 pcs/ctn; 36 SF/ctn
8223W09 – 7.95 lbs/pc; 6 pcs/ctn; 36 SF/ctn

TechLine 877 276-7876

armstrongceilings.com/metalworkslinear

Armstrong®
World Industries



METALWORKS™ – Standard

LIGHTING SOLUTIONS

METALWORKS™ Linear – Synchro®

Linear Lighting

NRC
+
CAC

DEF



MetalWorks™ Linear – Synchro™ 11" planks with linear light fixtures

METALWORKS LINEAR – SYNCHRO LIGHTING INSTALLATION METHODS

Two different installation methods to integrate linear lighting into Synchro ceiling systems to tailor to project and design needs.

Option 1: Replacing a Linear – Synchro plank with a linear light

Option 2: Cutting Linear – Synchro plank face and housing light fixture within plank

For both options, cut the number of hooks listed in charts below based on coordinating light fixtures.

COMPATIBLE LIGHTS The following charts represent the compatible ligfixtures from Backlight and XAL® with the two installation methods

	Plank Width	CHIARO-2	CHIARO-3.25	CHIARO-5.25
Backlight Option #1	2"	*	N/A	N/A
	4"	*	*	N/A
	6"	*	*	*
	9"	*	*	*
Backlight Option #2	2"	N/A	N/A	N/A
	4"	N/A	N/A	N/A
	6"	*	*	N/A
	9"	*	*	*

	Plank Width	PANO-2	PANO-3.25	PANO-5.25
XAL Option #1	2"	*	N/A	N/A
	4"	*	*	N/A
	6"	*	*	*
	9"	*	*	*
XAL Option #2	2"	N/A	N/A	N/A
	4"	N/A	N/A	N/A
	6"	*	*	N/A
	9"	*	*	*

METALWORKS™ – Standard

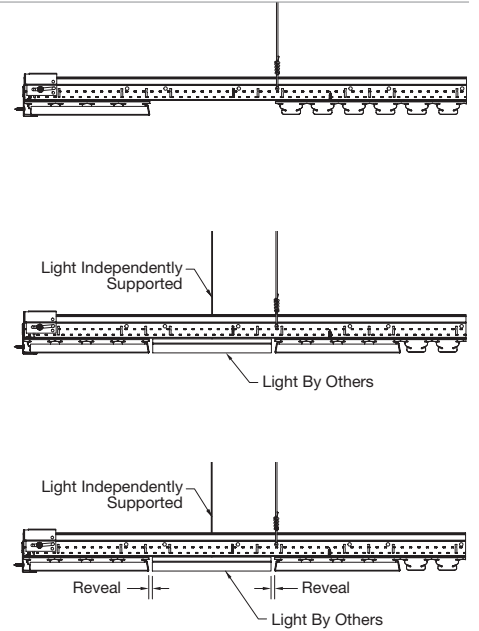
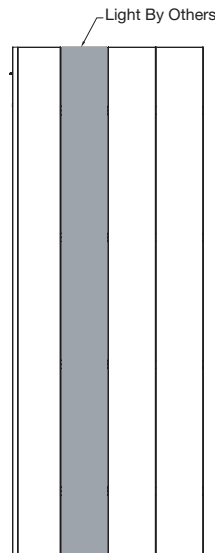
LIGHTING SOLUTIONS

METALWORKS™ Linear – Synchro®

Linear Lighting

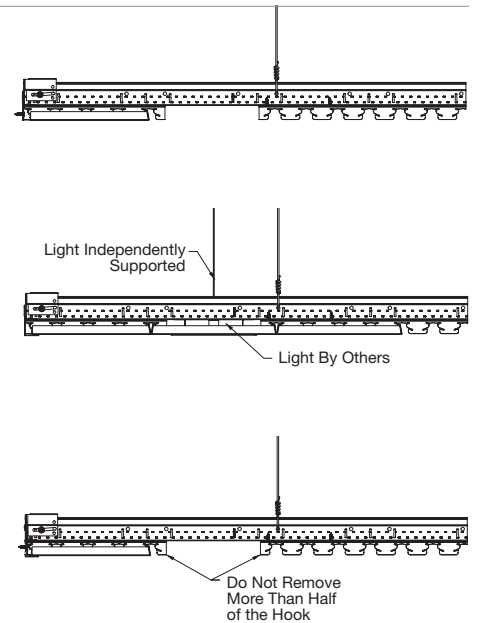
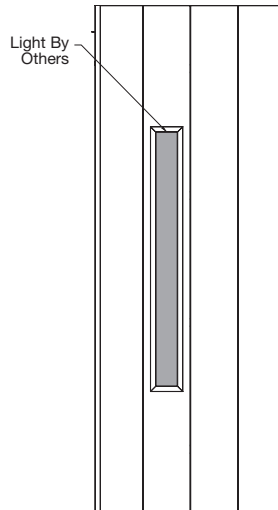
INSTALLATION DETAILS – OPTION 1

Backlight	CHIARO-2	CHIARO-3.25	CHIARO-5.25
Hooks Removed	1	2	3
Equal Reveal on either side of light	0.1325"	0.6325"	0.7575"
XAL®	PANO-2	PANO-3.25	PANO-5.25
Hooks Removed	1	2	3
Equal Reveal on either side of light	0.1325"	0.6325"	0.7575"



INSTALLATION DETAILS – OPTION 2

Backlight	CHIARO-2	CHIARO-3.25	CHIARO-5.25
Hooks Removed	1	2	3
XAL	PANO-2	PANO-3.25	PANO-5.25
Hooks Removed	1	2	3



LIGHTING FIXTURES

Compatible with Backlight srl CHIARO light fixture and XAL® PANO Low-Profile Linear Plank light fixture



For detailed lighting information, contact your local Backlight srl or XAL representative.