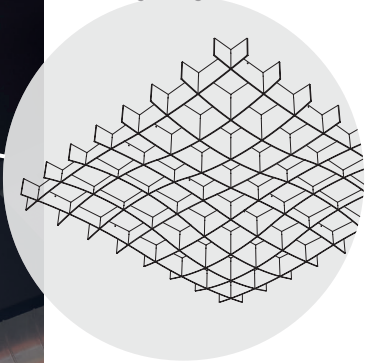
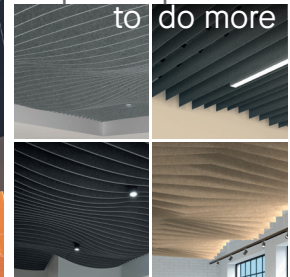


CAD/Revit® drawings at:  
[armstrongceilings.com/cadrevit](http://armstrongceilings.com/cadrevit)



plus capabilities  
to do more



FeltWorks® Open Cell Ebbs & Flow panels in Tangerine and Smoke

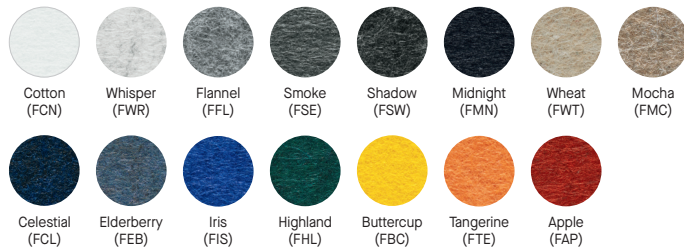
[armstrongceilings.com/capabilities](http://armstrongceilings.com/capabilities)  
See more photos at:  
[armstrongceilings.com/photogallery](http://armstrongceilings.com/photogallery)

FeltWorks® Open Cell panel kits add acoustics and custom looks to any interior space using Bottom, Mid, and Top 1/4" thick panels that fit together.

**KEY SELECTION ATTRIBUTES**

- Kits available in 3 designs: Ebbs & Flows, Peaks & Valleys, and Rectangular panels (6" or 12" depths)
- Kits can be installed as individual square or rectangular clouds, or interlinked to create a wall-to-wall installation
- FeltWorks® Open Cell panels are part of the Sustain® portfolio and meet the most stringent industry sustainability standards today
- CleanAssure™ family of products – includes disinfectable panels, suspension systems, and trim
- Product is water repellent and able to be disinfected with spray and wiped dry.
- Made from up to 60% post-consumer recycled PET fibers
- Get custom looks from standard products using easy-to-specify-and-order kits with short lead times
- No need to field-finish cut edges with color throughout panels
- Installation on the Hanging Kit (Item 6655) allows for panel removal to create a 24" x 36" opening for access into the plenum
- Sound absorption – 0.52 Sabins/SF

**COLORS** Due to printing limitations, shade may vary from actual product.



Explore the  
FeltWorks® Open Cell  
Design Guide

**new** FELTWORKS® Open Cell  
Ebbs & Flows Panel Kits

**SUSTAIN™**  
High Performance  
Sustainable Ceiling Systems  
(white only)

**Declare.**

**GREENGUARD**  
Gold Certified  
(details below)

LEED® WELL | LBC

50% RECYCLED CONTENT

- energy management
- construction waste mgmt
- regional materials
- design for flexibility

For LEED contribution contact TechLine

- EPD
- recyclable/producer resp.
- biobased materials
- recycled content
- sourcing of raw materials
- material ingredient reporting
- low emitting materials
- lighting quality
- acoustics

LOCATION DEPENDENT

COTTON ONLY



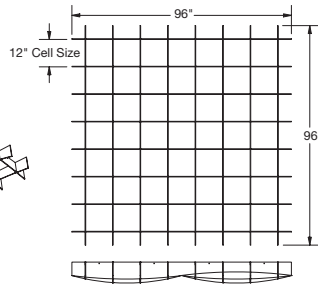
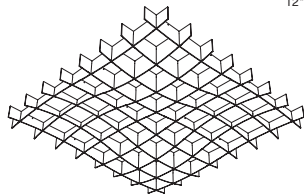
FeltWorks® Open Cell Ebbs & Flows panels in Tangerine

**ACOUSTICAL INFORMATION**

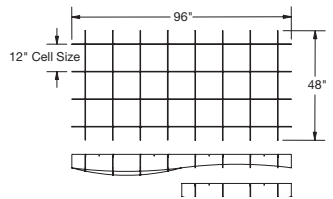
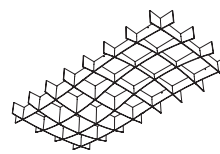
	Sound Absorption (Sabins/SF)
Panel Thickness	1/4"
	Up to 0.52

**STANDARD KITTED MODULE OPTIONS**

**S8 Ebbs & Flows Open Cell Kit**



**R4 or R8 Ebbs & Flows Open Cell Kit**



**VISUAL SELECTION**

	Item No. ◆	Description	Kit Nominal Dimensions (W x L x D)	Top & Bottom Panel Length	Mid Panel Length	Panel Length	SF of Installed Space
	6532KOE09S4	S4 Ebbs & Flows Open Cell Kit (Kit includes two 48" x 48" assemblies)	48 x 48 x 9"	48"	48"	8	32
	6532KOE09R4	R4 Ebbs & Flows Open Cell Kit	48 x 96 x 9"	48"	96"	12	32
	6532KOE09R8	R8 Ebbs & Flows Open Cell Kit	96 x 48 x 9"	96"	48"	12	32
	6532KOE09S8	S8 Ebbs & Flows Open Cell Kit	96 x 96 x 9"	96"	96"	16	64

◆ When specifying or ordering, add 3-letter color suffix to item number.  
NOTE: All panels in a kitted module must be the same color. A 1/4" gap exists between the ends of panels for best visual. For custom shapes, sizes, and layouts, contact ASQuote@armstrongceilings.com. See the FeltWorks® Open Cell Design Guide for easy ways to create custom looks using standard products.

**PERFORMANCE**

Fire Rating	Light Reflect	Certified Low VOC Emissions	CleanAssure™ Disinfectable Panels		DURABILITY			
			Spray	Water Repel	Impact	Scratch		
Class 0.80 A	*	*	*	*	*	*	*	*

Dots represent high level of performance.



**new** FELTWORKS® Open Cell  
Peaks & Valleys Panel Kits



Declare.

GREENGUARD  
Gold Certified

LEED WELL | LBC

50% RECYCLED CONTENT

For LEED contribution contact TechLine

energy management	recyclable/extended producer resp.	biobased materials	recycled content	sourcing of raw materials	material ingredient reporting	low emitting materials	lighting quality	acoustics
construction waste mgmt	regional materials	design for flexibility	EPD	recyclable/extended producer resp.	biobased materials	recycled content	sourcing of raw materials	material ingredient reporting
low emitting materials	lighting quality	acoustics	EPD	recyclable/extended producer resp.	biobased materials	recycled content	sourcing of raw materials	material ingredient reporting

LOCATION DEPENDENT

COTTON ONLY

ACOUSTICAL INFORMATION

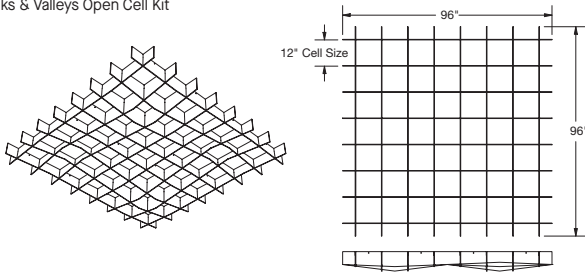
Panel Thickness	Sound Absorption (Sabins/SF)
1/4"	Up to 0.52



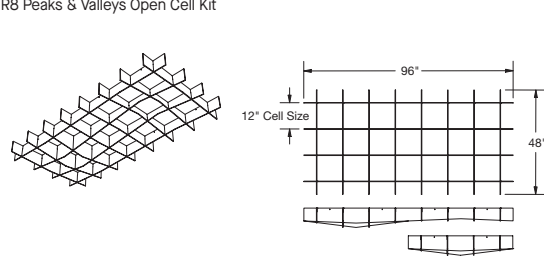
FeltWorks® Open Cell Peaks & Valleys panels in Cotton

STANDARD KITTED MODULE OPTIONS

S8 Peaks & Valleys Open Cell Kit



R4 or R8 Peaks & Valleys Open Cell Kit



VISUAL SELECTION

	Item No. ♦	Description	Kit Nominal Dimensions (W x L x D)	Top & Bottom Panel Length	Mid Panel Length	SF of Installed Space
	6532KOP09S4	S4 Peaks & Valleys Open Cell Kit (Kit includes two 48" x 48" assemblies)	48 x 48 x 9"	48"	48"	8
	6532KOP09R4	R4 Peaks & Valleys Open Cell Kit	48 x 96 x 9"	48"	96"	12
	6532KOP09R8	R8 Peaks & Valleys Open Cell Kit	96 x 48 x 9"	96"	48"	12
	6532KOP09S8	S8 Peaks & Valleys Open Cell Kit	96 x 96 x 9"	96"	96"	16

♦ When specifying or ordering, add 3-letter color suffix to item number.  
NOTE: All panels in a kitted module must be the same color. A 1/4" gap exists between the ends of panels for best visual. For custom shapes, sizes, and layouts, contact ASQuote@armstrongceilings.com  
See the FeltWorks® Open Cell Design Guide for easy ways to create custom looks using standard products.

PERFORMANCE

Fire Rating	Light Reflect	Certified Low VOC Emissions	CleanAssure™ Disinfectable Panels		DURABILITY			
			Spray	Water Repel	Impact	Scratch		
Class A	0.80	*	*	*	*	*	*	*

Dots represent high level of performance.

CLOUDS & CANOPIES – Standard

**new** FELTWORKS® Open Cell  
Rectangular Panel Kits

**SUSTAIN\***  
High Performance  
Sustainable Ceiling Systems

**Declare.**

**GREENGUARD**  
Gold Certified

LEED® WELL | LBC

**50% RECYCLED CONTENT**

- energy management
- construction waste mgmt
- regional materials
- design for flexibility

For LEED contribution contact TechLine

- EPD
- recyclable/producer resp.
- biobased materials
- recycled content
- sourcing of raw materials
- material ingredient reporting
- low emitting/ materials
- lighting quality
- acoustics

LOCATION DEPENDENT

COTTON ONLY

**ACOUSTICAL INFORMATION**

Sound Absorption (Sabins/SF)

Panel Thickness



1/4"

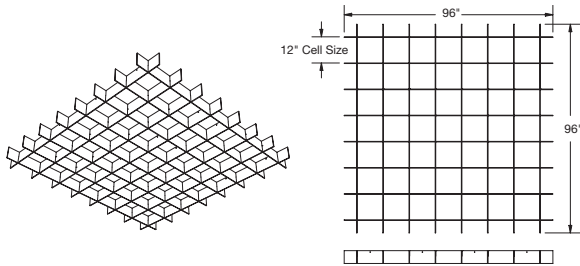
Up to 0.52



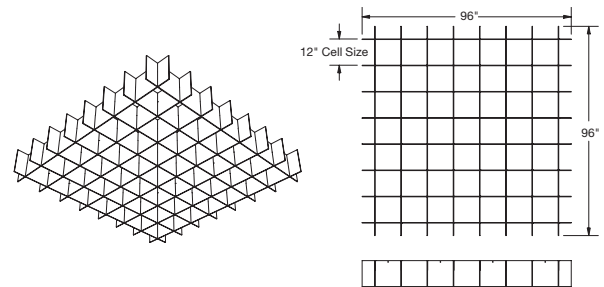
FeltWorks® Open Cell Rectangular panels in Smoke

**STANDARD KITTED MODULE OPTIONS**

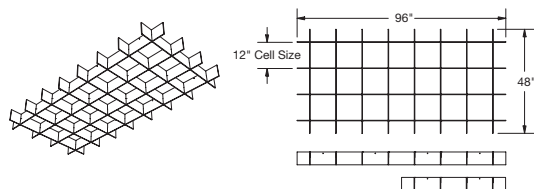
S8 Rectangles 6" Depth Open Cell Kit



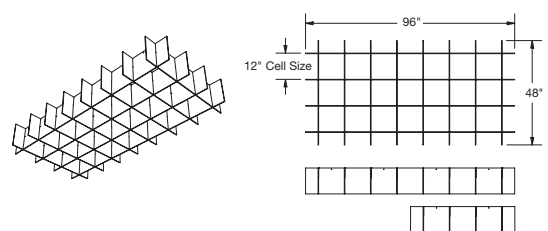
S8 Rectangles 12" Depth Open Cell Kit



R4 or R8 Rectangles 6" Depth Open Cell Kit



R4 or R8 Rectangles 12" Depth Open Cell Kit



**new** FELTWORKS® Open Cell  
Rectangular Panel Kits



Declare.

GREENGUARD Gold Certified

LEED WELL | LBC

50% RECYCLED CONTENT

For LEED contribution contact TechLine

energy management	construction waste mgmt	regional materials	design for flexibility	EPD	recyclable/extended producer resp.	biobased materials	recycled content	sourcing of raw materials	material ingredient reporting	low emitting/ materials	lighting quality	acoustics
LOCATION DEPENDENT											COTTON ONLY	

VISUAL SELECTION

PERFORMANCE

Item No. ♦	Description	Kit Nominal Dimensions (W x L x D)	Top & Bottom Panel Length	Mid Panel Length	Panels per Kit	SF of Installed Space	Fire Rating	Light Reflect	Certified Low VOC Emissions	CleanAssure™ Disinfectable Panels	DURABILITY		
							Class A	0.80 *		Spray	Water Repel	Impact	Scratch
6532KOR06S4	S4 Rectangles 6" Depth Open Cell Kit (Kit includes two 48" x 48" assemblies)	48 x 48 x 6"	48"	48"	8	32	Class A	0.80 *					
6532KOR06R4	R4 Rectangles 6" Depth Open Cell Kit	48 x 96 x 6"	48"	96"	12	32	Class A	0.80 *					
6532KOR06R8	R8 Rectangles 6" Depth Open Cell Kit	96 x 48 x 6"	96"	48"	12	32	Class A	0.80 *					
6532KOR06S8	S8 Rectangles 6" Depth Open Cell Kit	96 x 96 x 6"	96"	96"	16	64	Class A	0.80 *					
6532KOR12S4	S4 Rectangles 12" Depth Open Cell Kit (Kit includes two 48" x 48" assemblies)	48 x 48 x 12"	48"	48"	8	32	Class A	0.80 *					
6532KOR12R4	R4 Rectangles 12" Depth Open Cell Kit	48 x 96 x 12"	48"	96"	12	32	Class A	0.80 *					
6532KOR12R8	R8 Rectangles 12" Depth Open Cell Kit	96 x 48 x 12"	96"	48"	12	32	Class A	0.80 *					
6532KOR12S8	S8 Rectangles 12" Depth Open Cell Kit	96 x 96 x 12"	96"	96"	16	64	Class A	0.80 *					

♦ When specifying or ordering, add 3-letter color suffix to item number.  
NOTE: All panels in a kitted module must be the same color. A 1/4" gap exists between the ends of panels for best visual.  
For custom shapes, sizes, and layouts, contact ASQuote@armstrongceilings.com  
See the FeltWorks® Open Cell Design Guide for easy ways to create custom looks using standard products.

Dots represent high level of performance.



CLOUDS & CANOPIES – Standard

**new** FELTWORKS® Open Cell  
Acoustical Clouds



Declare.

GREENGUARD  
Gold Certified

LEED® WELL™ LBC

50% RECYCLED CONTENT

- energy management
- construction waste mgmt
- regional materials
- design for flexibility

EPD  
recyclable/repurposed producer resp.

biobased materials  
recycled content

sourcing of raw materials  
material ingredient reporting

low emitting materials  
lighting quality

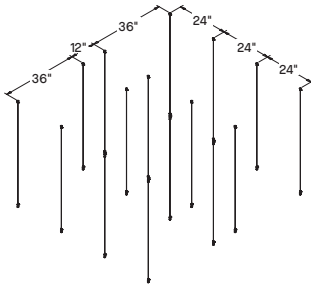
acoustics

For LEED contribution contact TechLine

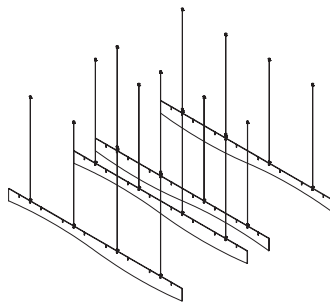
LOCATION DEPENDENT

COTTON ONLY

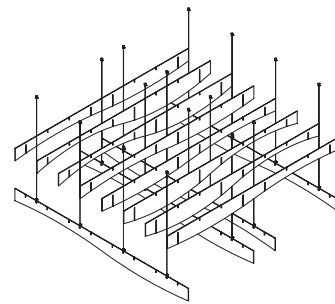
LAYOUT DETAILS/INSTALLATION DETAILS



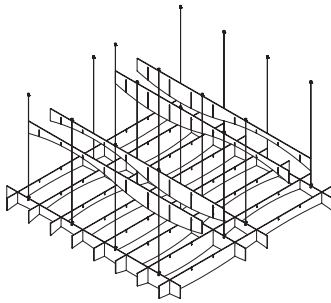
Step 1: Attach Hanging Kits to Deck



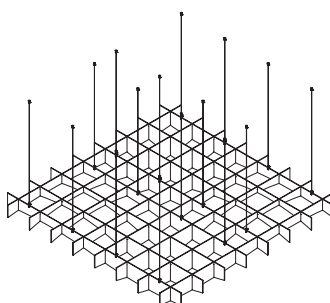
Step 2: Attach Bottom Panels to Hanging Kits



Step 3: Insert Mids Perpendicular to Bottom Panels



Step 4: Insert Top Panels Parallel to Bottoms

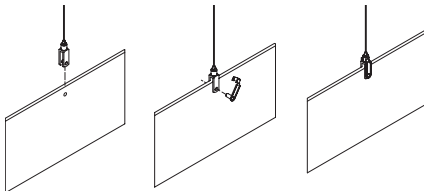


Complete Installation



Hanging Kit (Item 6655) assembly detail

HANGING KIT



SUSPENSION SYSTEMS

	Item No. ♦	Description	Color	Pcs./Ctn
Aluminum Suspension System	6655	Hanging Kit	N/A	1 kit/4 hanging assemblies

Each Blades Hanging Kit includes 4 hanging assemblies. Use one kit for each Suspension Bar.

PHYSICAL DATA

**Material**  
1/4" thick non-woven layered and formed polyester felt (PET) fiber panels with color throughout.

**Fire Performance**  
Flame Spread Index 25 or less. Smoke Developed Index 450 or less. Class A per ASTM E84.  
CAN/ULC S102 surface burning characteristics. Flame Spread Rating of 75 or less. Smoke Developed Classification of 105.

FeltWorks® Open Cell panels, as with other architectural features located in the ceiling plane, may obstruct or skew the existing or planned fire sprinkler water distribution pattern, or possibly delay the activation of the fire sprinkler or fire detection system. Consult a fire protection engineer, NFPA 13, and local codes for guidance on the proper installation techniques where fire detection or suppression systems are present.

**Application Considerations**  
Color and texture may vary from panel to panel and from order to order. Adequate attic stock should be ordered. Due to the nature of recycled materials, small dark fibers may be visible on light panels.

FeltWorks Open Cell panels are not approved for exterior application.

FeltWorks Open Cell panels should not be installed near sources of heat greater than 158 degrees F.

**Design Support**  
For custom design assistance contact ProjectWorks® Design Services or visit [armstrongceilings.com/projectworks](http://armstrongceilings.com/projectworks)

**Acoustical Performance**  
Tested per ASTM C423 and mounted in accordance with ASTM E795. Sound absorption of 0.52 Sabins/SF. Contact TechLine for details at [techline@armstrongceilings.com](mailto:techline@armstrongceilings.com)

**VOC Emissions**  
GREENGUARD Gold Certified  
Third-party certified compliant with California Department of Public Health CDPH/EHLB/Standard Method Version 1.2, 2017. This standard is the guideline for low emissions in LEED®, WELL Building Standard®, Living Building Challenge® (LBC), CalGreen Title 24, ANSI/ASHRAE/USGBC/IES Standard 189; ANSI/GBI Green Building Assessment Protocol.

PRODUCT CERTIFIED FOR LOW CHEMICAL EMISSIONS  
UL.COM/GG UL 2818



**Installation Considerations**  
Any fixtures adjacent to FeltWorks Open Cell panels must be independently supported.

**Seismic Restraint**  
FeltWorks Open Cell panels have been engineered, tested, and approved for use in all seismic areas. See installation instructions for details.

**Cleaning and Disinfecting**  
Cleaning and CDC approved disinfecting options available on [armstrongceilings.com/cleaning](http://armstrongceilings.com/cleaning)

**Warranty**  
Details at [armstrongceilings.com/warranty](http://armstrongceilings.com/warranty)

**Weight; Pieces/Carton**  
0.33 lbs/SF  
Custom quantities available, contact [ASQuote@armstrongceilings.com](mailto:ASQuote@armstrongceilings.com)

