



Pre-
engineered
Time-saving
Integrated
Solutions

TRANSITIONS

Armstrong[®]
CEILING & WALL SOLUTIONS

Pre-engineered for a Smooth TRANSITION

Straight or curvy, these steel and Axiom® transitions allow your design to move from one space to another seamlessly.

These transitions are pre-engineered with attention to detail to ensure you control the finished aesthetic of the ceiling and achieve your design intent.

Transitions can be found on nearly every project. We've created pre-engineered solutions for these and other common conditions to make installation easier and to provide a finished look that is consistent and reliable.



4

**TRANSITION
MOLDINGS**



8

**AXIOM®
TRANSITIONS**



17

**AXIOM MOLDINGS
AND COLUMN RINGS**



18

**CLIPS AND
ACCESSORIES**



FOUNDERS
FEDERAL CREDIT UNION

TRANSITION MOLDINGS

Create a smooth transition between drywall and suspended ceilings with acoustical and drywall transition molding.

EASIER TO DETAIL:

- Available CAD drawings
- One part number
- Factory painted to match Armstrong® Acoustical Suspension Systems

EASIER TO INSTALL:

- Fewer parts and pieces; combines acoustical molding with drywall taping flange
- Pre-punched vertical web to improve screw attachment
- Compatible with all types of framing including Armstrong drywall grid and ShortSpan®

ARMSTRONG CEILING TRANSITION MOLDINGS ELIMINATE:

- Vertical drywall return at the transition
- Return framing to support drywall return
- Separate acoustical wall angle installation
- Corner bead and vertical taping

▼ American Society of Interior Designers Corporate Headquarters, Washington, DC; Perkins & Will, Washington, DC



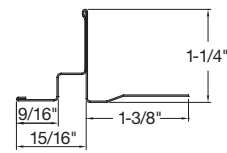
9/16" TRANSITIONS

9/16" Shadow Reveal Transition Molding:

120", 3/8" shadow reveal with 9/16" horizontal flange

120 linear feet/carton

7901



9/16" Flush Transition Molding:

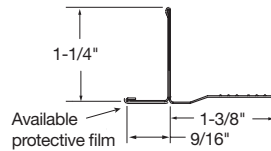
120", 9/16" horizontal flange

120 linear feet/carton

7905

7905PF*

* Protective film applied to face of wall molding flange for easier finishing.

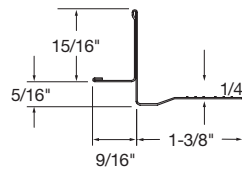


9/16" Tegular Transition Molding:

120", 9/16" horizontal flange

120 linear feet/carton

7907



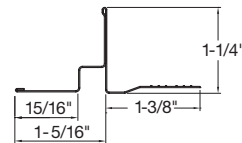
15/16" TRANSITIONS

15/16" Shadow Reveal Transition Molding:

120", 3/8" shadow reveal with 15/16" horizontal flange

120 linear feet/carton

7902



15/16" Flush Transition Molding:

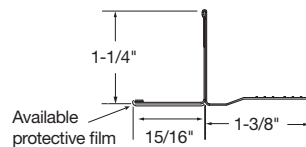
120", 15/16" horizontal flange

120 linear feet/carton

7904

7904PF*

* Protective film applied to face of wall molding flange for easier finishing.

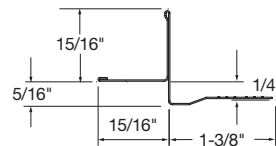


15/16" Tegular Transition Molding:

120", 15/16" horizontal flange

120 linear feet/carton

7908



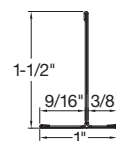
1" TRANSITIONS

1" Flush T Transition Molding:

120", 1" inverted T for monolithic horizontal transitions

120 linear feet/carton

7903

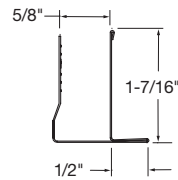


F-MOLDING TRANSITIONS

F Vertical Transition Molding:

120" vertical transition
120 linear feet/carton

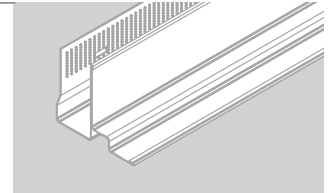
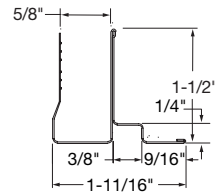
□ 7906



Step Transition Molding:

9/16" F Vertical Transition Molding
120", 9/16" horizontal flange

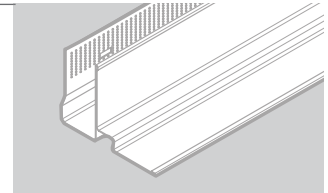
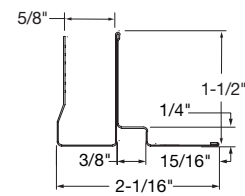
□ 7913



Step Transition Molding:

15/16" F Vertical Transition Molding
120", 15/16" horizontal flange

□ 7914

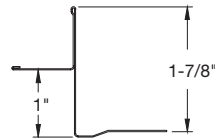


STEP TRANSITIONS

Step Transition Molding:

15/16" 1" Step Transition Molding
120", 15/16" horizontal flange

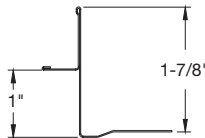
□ 7909



Step Transition Molding:

9/16" 1" Step Transition Molding
120", 9/16" horizontal flange

□ 7910

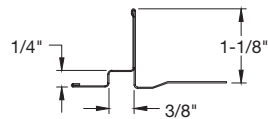


SHADOW REVEAL TRANSITIONS

Shadow Reveal Transition Molding:

9/16" Shadow Reveal Transition Molding
120", 3/8 x 1/4" shadow reveal with
9/16" horizontal flange

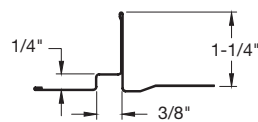
□ 7911



Shadow Reveal Transition Molding:

15/16" Shadow Reveal Transition Molding
120", 3/8 x 1/4" shadow reveal with
15/16" horizontal flange

□ 7912



F-MOLDING TRANSITIONS

F-Molding Transitions are used to create drywall height transitions without stud and track framing eliminating the unsightly visual of stud and track framing.

Armstrong Ceilings

- Minimize trade coordination with 40% faster installation time

AXIOM® BENEFITS:

- Axiom aluminum trim provides more crisp edge detailing compared to traditional stud and drywall framing
- Axiom acoustical-to-drywall transitions are available straight and curved for perfect fit and finish every time
- Axiom is part of the Sustain™ portfolio and meets the most stringent sustainability compliance standards today
- Axiom curved F-Molding

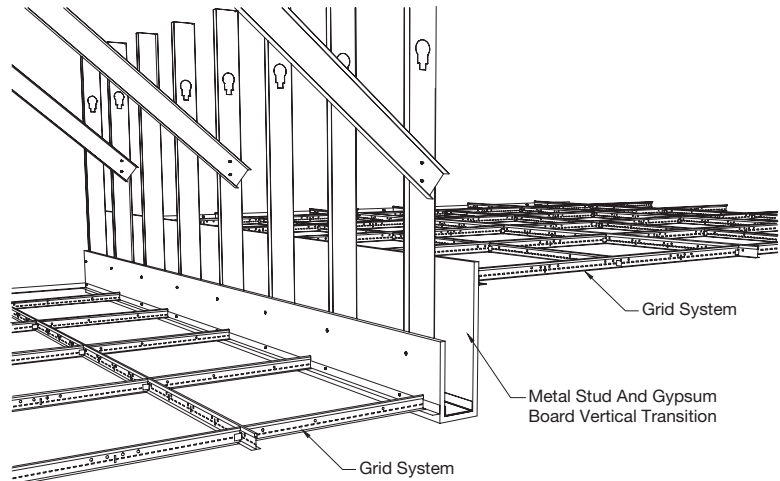
STEEL BENEFITS:

- Steel transitions are factory painted to match Armstrong® Acoustical Suspension Systems
- Roll-formed steel with integrated mud flange – saving time, material, and labor on vertical transitions
- Fewer parts and pieces; integrates Acoustical Molding with a Drywall Taping Flange
- Eliminates a vertical drywall return at the transition

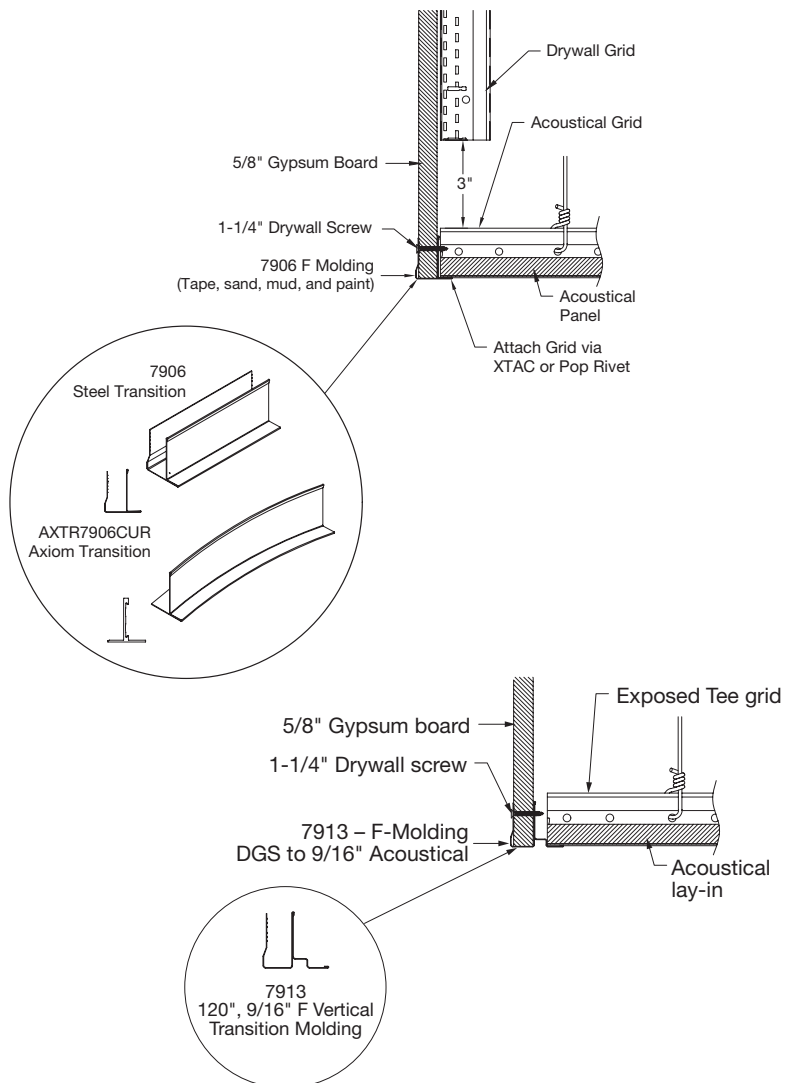
FEATURES:

- Accommodates acoustical-to-acoustical, acoustical-to-drywall, drywall-to-drywall, and drywall-to-acoustical
- Compatible with Armstrong Suspension Systems and Drywall Grid Systems

Traditional UPTURN TRANSITION



Armstrong Ceilings F-MOLDING TRANSITIONS GREATER THAN 10"



FLUSH TRANSITION

Transition between two ceiling planes at the same height.

Armstrong Ceilings

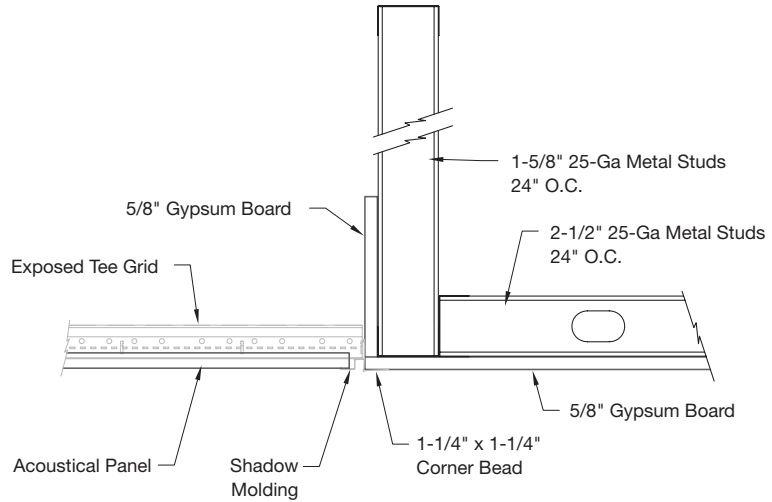
BENEFITS:

- Extruded aluminum trim provides more crisp edge detailing compared to conventional roll-formed steel systems
- Acoustical-to-drywall transitions are available straight and curved for perfect fit and finish every time
- Axiom® is part of the Sustain™ portfolio and meets the most stringent sustainability compliance standards today

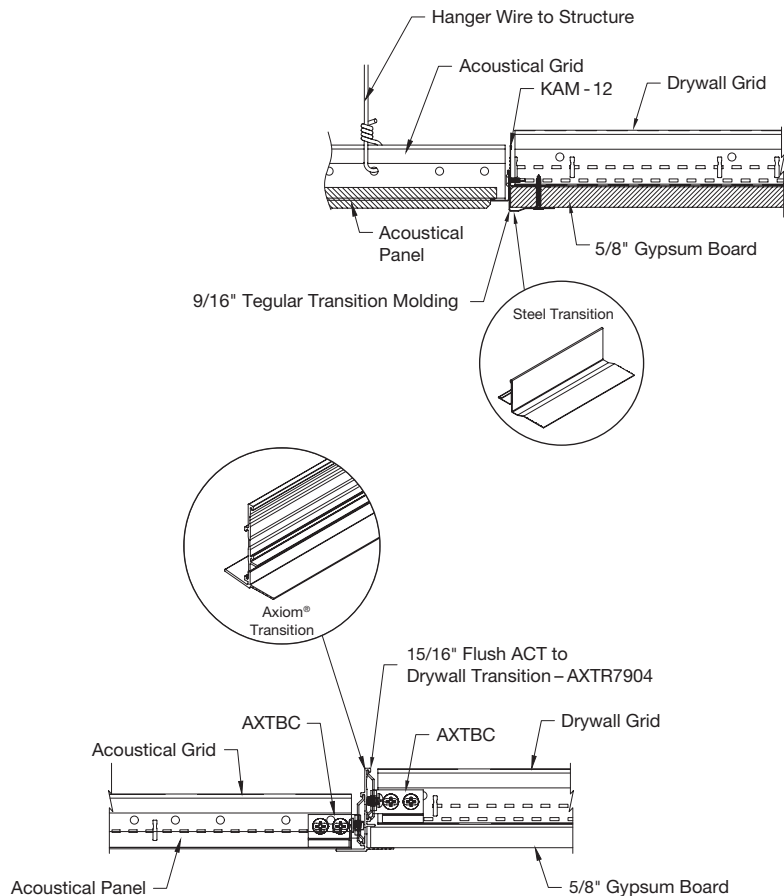
FEATURES:

- Accommodates acoustical-to-acoustical, acoustical-to-drywall, drywall-to-drywall, and drywall-to-acoustical
- Available in extruded aluminum and steel transition options
- Extruded aluminum can be straight or curved
- Compatible with Armstrong® suspension systems and drywall grid systems

Traditional FLUSH TRANSITION



Armstrong Ceilings FLUSH TRANSITIONS



F-MOLDING TRANSITIONS GREATER THAN 10"

F-Molding Transitions are for drywall height transitions greater than 10" and can be 48" without dropping a stud.

Armstrong Ceilings

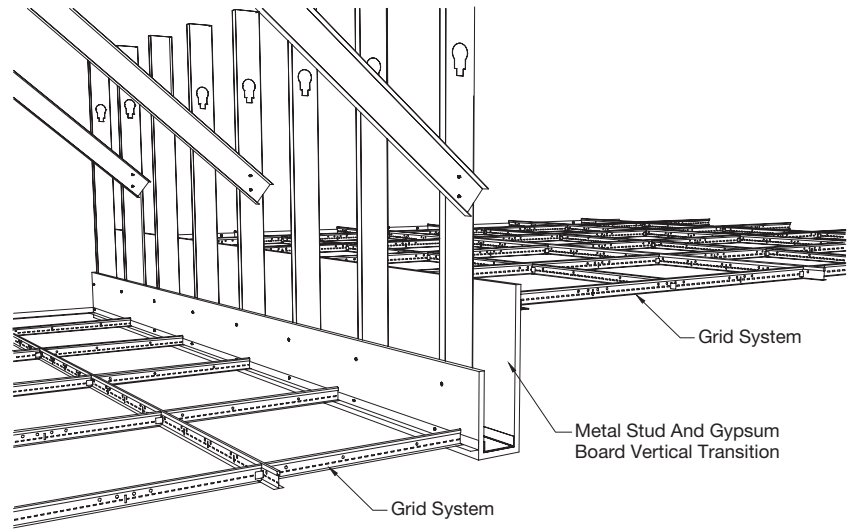
BENEFITS:

- Roll-formed steel with integrated mud flange – saving time, material, and labor on vertical transitions
- Gypsum board vertical return up to 48"

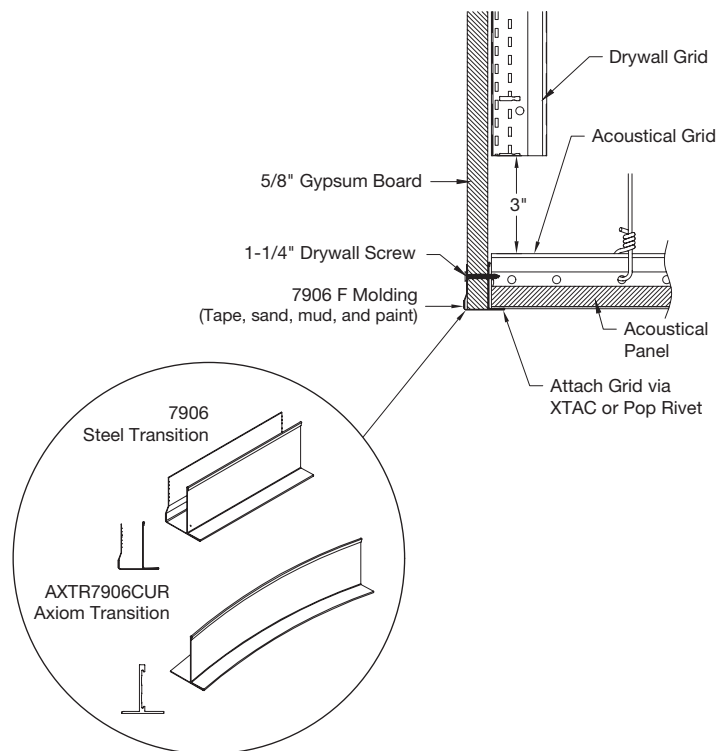
FEATURES:

- Accommodates acoustical-to-acoustical, acoustical-to-drywall, drywall-to-drywall, and drywall-to-acoustical
- Height transitions of greater than 10" with F-molding
- Compatible with Armstrong® suspension systems and drywall grid systems

Traditional UPTURN TRANSITION



Armstrong Ceilings F-MOLDING TRANSITIONS GREATER THAN 10"



AXIOM[®] TRANSITIONS

Fast and easy way to create crisp transitions between ceiling planes, regardless of material type.

WHY USE AXIOM[®] TRANSITION MOLDINGS?

- Extruded aluminum Axiom[®] transition moldings provide more crisp edge detailing compared to conventional roll-formed steel systems
- Compatible with Armstrong[®] suspension systems and drywall grid systems
- Axiom transitions are part of the Sustain™ portfolio and meet the most stringent sustainability compliance standards today
- Acoustical-to-drywall transitions are available straight and curved for perfect fit and finish every time
- Axiom transitions for Vector[®] are available straight only; for use with full-size Vector panels (field cutting Vector panels can be avoided)
- Elevation change transitions accommodate acoustical-to-acoustical, acoustical-to-drywall, drywall-to-acoustical, and drywall-to-drywall height transitions of 2", 4", 6", 8", and 10"



SUSTAIN[®]
High Performance
Sustainable Ceiling Systems

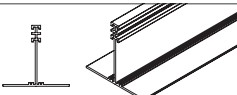
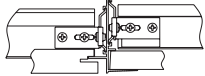
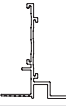
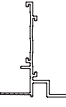
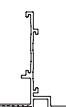
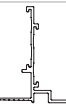
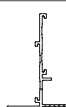
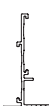
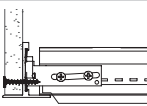

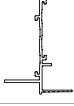
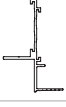

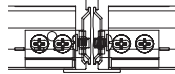
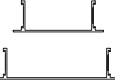




▲ Lab Company, Naperville, IL; Whitney Inc. Architects

AXIOM® TRANSITIONS (no elevation change)

DIMENSIONAL
EXPOSED TEE

Item No. ♦	Description	Dimensions (Inches)	
<input type="checkbox"/> AXSJ	10' Axiom® Slip Joint	120 x 24 x 2-1/16"	
<input type="checkbox"/> AXTRVESTR_ _	Straight Transition for Vector	120 x 2-9/16 x 1-11/16"	
NOTE: For use with full-size Vector® panels.			
<input type="checkbox"/> AXTR7901STR_ _	9/16" Shadow Reveal Transition Molding, Straight	120 x 2-9/16 x 1-13/16"	
<input type="checkbox"/> AXTR7901CUR_ _	9/16" Shadow Reveal Transition Molding, Curved	Varies x 2-9/16 x 1-13/16"	
<input type="checkbox"/> AXTR7902STR_ _	15/16" Shadow Reveal Transition Molding, Straight	120 x 2-9/16 x 2-3/16"	
<input type="checkbox"/> AXTR7902CUR_ _	15/16" Shadow Reveal Transition Molding, Curved	Varies x 2-9/16 x 2-3/16"	
<input type="checkbox"/> AXTR7911STR	9/16" Shadow Reveal Transition Molding Straight	120 x 9/16 x 2-1/2"	
<input type="checkbox"/> AXTR7911CUR	9/16" Shadow Reveal Transition Molding Curved	120 x 9/16 x 2-1/2"	
<input type="checkbox"/> AXTR7912STR	15/16" Shadow Reveal Transition Molding Straight	120 x 15/16 x 2-1/2"	
<input type="checkbox"/> AXTR7912CUR	15/16" Shadow Reveal Transition Molding Curved	120 x 15/16 x 2-1/2"	
<input type="checkbox"/> AXTR7904STR_ _	15/16" Flush Transition Molding, Straight	120 x 2-9/16 x 1-3/4"	
<input type="checkbox"/> AXTR7904CUR_ _	15/16" Flush Transition Molding, Curved	Varies x 2-9/16 x 1-3/4"	
<input type="checkbox"/> AXTR7905STR_ _	9/16" Flush Transition Molding, Straight	120 x 2-9/16 x 1-3/8"	
<input type="checkbox"/> AXTR7905CUR_ _	9/16" Flush Transition Molding, Curved	Varies x 2-9/16 x 1-3/8"	
<input type="checkbox"/> AXTR7906STR_ _	"F" Type Molding, Straight	120 x 1-13/16 x 1-11/16"	
<input type="checkbox"/> AXTR7906CUR_ _	"F" Type Molding, Curved	Varies x 1-13/16 x 1-11/16"	
<input type="checkbox"/> AXTR7907STR_ _	9/16" Tegular Transition Molding, Straight	120 x 2-9/16 x 1-11/16"	
<input type="checkbox"/> AXTR7907CUR_ _	9/16" Tegular Transition Molding, Curved	Varies x 2-9/16 x 1-11/16"	
<input type="checkbox"/> AXTR7908STR_ _	15/16" Tegular Transition Molding, Straight	120 x 2-9/16 x 1-13/16"	
<input type="checkbox"/> AXTR7908CUR_ _	15/16" Tegular Transition Molding, Curved	Varies x 2-9/16 x 1-13/16"	
<input type="checkbox"/> AXTR7909STR_ _	15/16" Tegular Transition Molding – 1" Height, Straight	120 x 2-13/16 x 1-11/16"	
<input type="checkbox"/> AXTR7909CUR_ _	15/16" Tegular Transition Molding – 1" Height, Curved	Varies x 2-13/16 x 1-11/16"	
<input type="checkbox"/> AXTR7910STR_ _	9/16" Tegular Transition Molding – 1" Height, Straight	120 x 2-13/16 x 1-3/8"	
<input type="checkbox"/> AXTR7910CUR_ _	9/16" Tegular Transition Molding – 1" Height, Curved	Varies x 2-13/16 x 1-3/8"	
<input type="checkbox"/> AX15DSCSTR_ _	1-1/2" Acoustical Double-sided Connection, Straight	120 x 1-15/16 x 1-1/2"	
<input type="checkbox"/> AX15DSCCUR_ _	1-1/2" Acoustical Double-sided Connection, Curved	Varies x 1-15/16 x 1-1/2"	
<input type="checkbox"/> AXFFP4_ _	Axiom Field Face Plate	120" – 4" Unslotted	
<input type="checkbox"/> AXFFP6_ _	Axiom Field Face Plate	120" – 6" Unslotted	

♦Add the 2-letter color suffix to the item number when specifying or ordering (e.g., AXTR7907STR H A).

MINIMUM BEND RADIUS:

Profile: AXTR7901 • Inside Curve – 48", Outside Curve – 120"

Profiles: AXTR7902, AXTR7904, AXTR7905 • Inside Curve – 96", Outside Curve – 600"

Profiles: AXTR7906, AXTR7907, AXTR7908, AXTR7909, AXTR7910 • Inside and Outside Curve – 48"

Profile: AX15DSC • Inside and Outside Curve – 60"

FIELD TRANSITION

Used in place of a bulkhead when transitioning between two ceiling systems or changing ceiling system direction.

Armstrong Ceilings

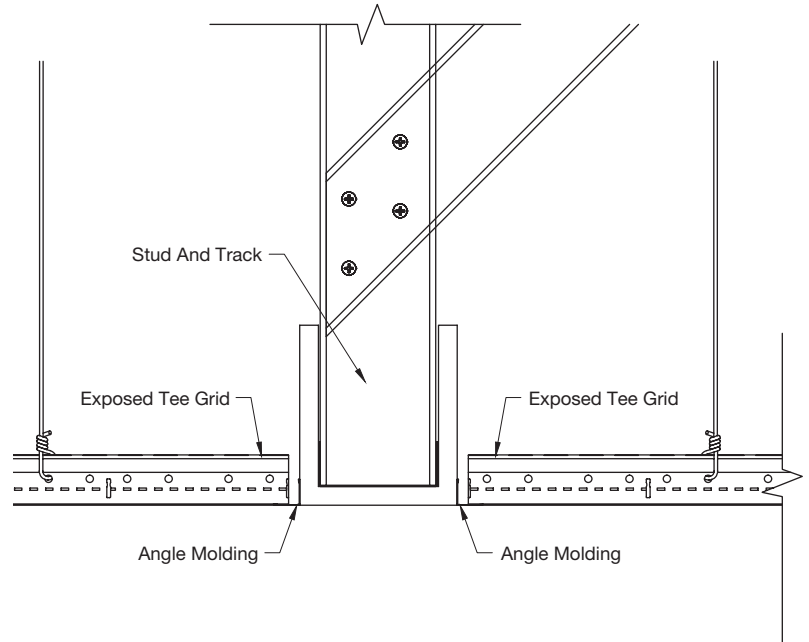
BENEFITS:

- Extruded aluminum trim provides more crisp edge detailing compared to conventional roll-formed steel systems
- Acoustical-to-drywall transitions are available straight and curved for perfect fit and finish every time
- Axiom® is part of the Sustain™ portfolio and meets the most stringent sustainability compliance standards today

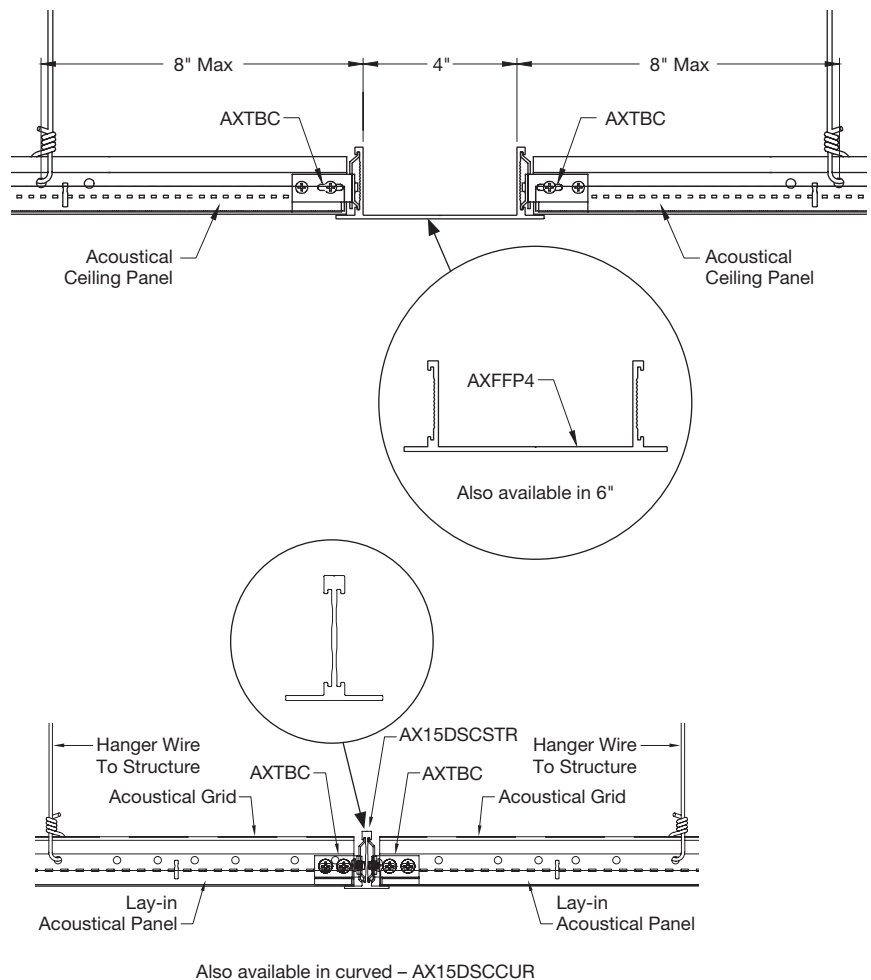
FEATURES:

- Transition from acoustical-to-acoustical without dropping a stud
- Available in 1-1/2", 4", or 6" (1-1/2" used to change direction in hallways/corridors)
- Used to transition between intersecting ceiling systems or to transition between two different types of ceilings
- Acoustical-to-acoustical transitions only

Traditional FIELD TRANSITION

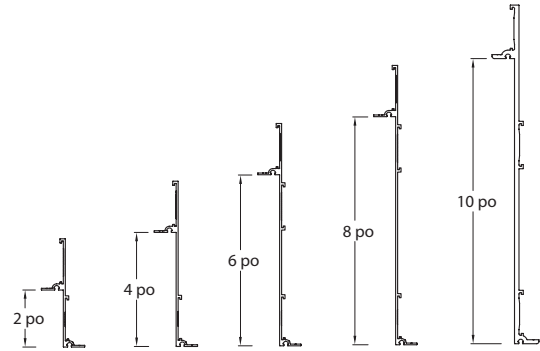


Armstrong Ceilings FIELD TRANSITION



AXIOM TRANSITIONS (ELEVATION CHANGE)

Item No.♦	Description	Dimensions (Inches)
<input type="checkbox"/> AXTR2STR_ _	2" Straight Transition	120 x 2 x 1-1/2"
<input type="checkbox"/> AXTR2CUR_ _*	2" Curved Transition	Vary x 2 x 1-1/2"
<hr/>		
<input type="checkbox"/> AXTR4STR_ _	4" Straight Transition	120 x 4 x 1-1/2"
<input type="checkbox"/> AXTR4CUR_ _*	4" Curved Transition	Vary x 4 x 1-1/2"
<hr/>		
<input type="checkbox"/> AXTR6STR_ _	6" Straight Transition	120 x 6 x 1-1/2"
<input type="checkbox"/> AXTR6CUR_ _*	6" Curved Transition	Vary x 6 x 1-1/2"
<hr/>		
<input type="checkbox"/> AXTR8STR_ _	8" Straight Transition	120 x 8 x 1-1/2"
<input type="checkbox"/> AXTR8CUR_ _*	8" Curved Transition	Vary x 8 x 1-1/2"
<hr/>		
<input type="checkbox"/> AXTR10STR_ _	10" Straight Transition	120 x 10 x 1-1/2"
<input type="checkbox"/> AXTR10CUR_ _**	10" Curved Transition	Vary x 10 x 1-1/2"



♦ Add the 2-letter color suffix to the item number when specifying or ordering (e.g., AXTR2STR H Δ).

* Minimum bending radius is 48" ** Minimum bending radius is 60"

STRAIGHT OR CURVED TRANSITIONS (1" TO 10" ELEVATION CHANGE)

Axiom® transitions are used in place of a bulkhead for transitions less than 10".

Armstrong Ceilings

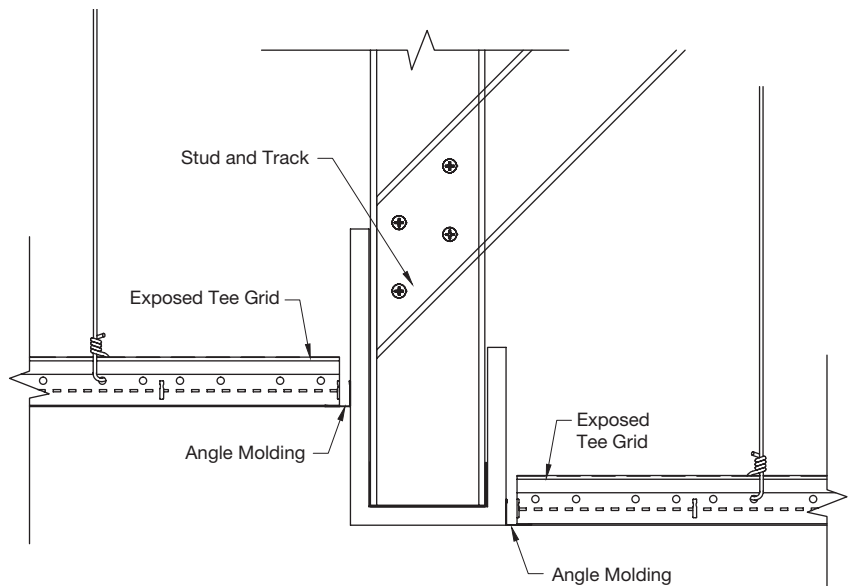
BENEFITS:

- Create a smooth transition between drywall and suspended ceilings (mineral fiber, metal, or wood)
- Extruded aluminum trim provides more crisp edge detailing compared to conventional roll-formed steel systems
- Axiom® is part of the Sustain™ portfolio and meets the most stringent sustainability compliance standards today
- Acoustical-to-drywall transitions are available straight and curved for perfect fit and finish every time

FEATURES:

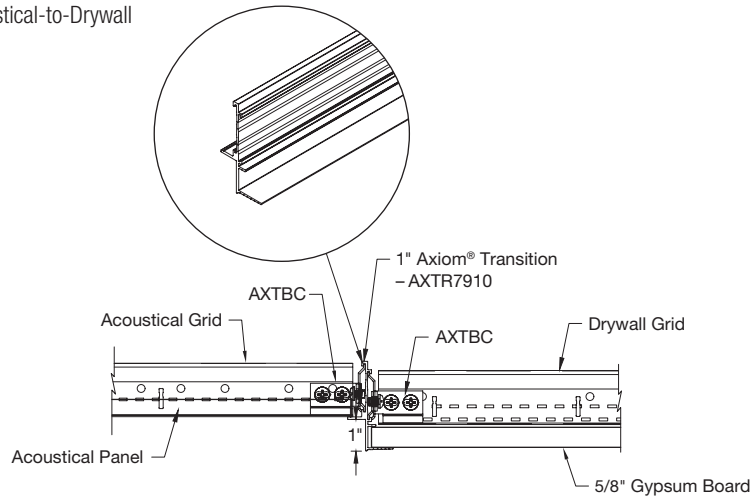
- Axiom® Vector® transitions are available straight and are only for use with full-size Vector panels (field cutting Vector panels can be avoided)
- Elevation change accommodates acoustical-to-acoustical, acoustical-to-drywall, drywall-to-acoustical, and drywall-to-drywall height transitions of 1", 2", 4", 6", 8", and 10"
- Compatible with Armstrong® suspension systems and drywall grid systems

Traditional TRANSITION (ELEVATION CHANGE)

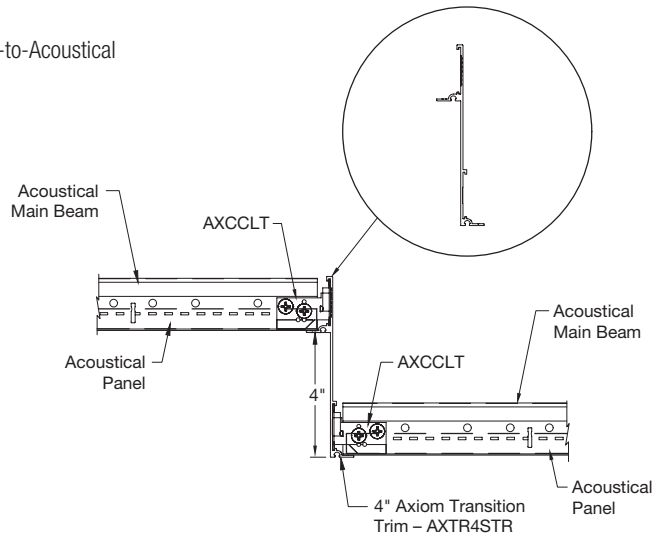


Armstrong Ceilings STRAIGHT OR CURVED TRANSITIONS (1" TO 10" ELEVATION CHANGE)

Acoustical-to-Drywall

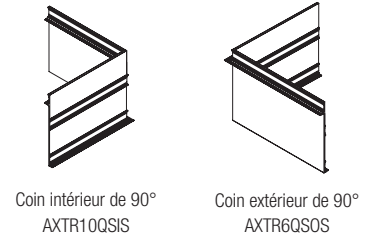


Acoustical-to-Acoustical



AXIOM TRANSITIONS QUICKSHIP™ CORNERS

Item No. ♦	Description	Dimensions (Inches)
<input type="checkbox"/> AXTR2QSSIS__	2" Transition Inside Corner	12 x 2 x 1-1/2"
<input type="checkbox"/> AXTR2QSOS__	2" Transition Outside Corner	12 x 2 x 1-1/2"
<input type="checkbox"/> AXTR4QSSIS__	4" Transition Inside Corner	12 x 4 x 1-1/2"
<input type="checkbox"/> AXTR4QSOS__	4" Transition Outside Corner	12 x 4 x 1-1/2"
<input type="checkbox"/> AXTR6QSSIS__	6" Transition Inside Corner	12 x 6 x 1-1/2"
<input type="checkbox"/> AXTR6QSOS__	6" Transition Outside Corner	12 x 6 x 1-1/2"
<input type="checkbox"/> AXTR8QSSIS__	8" Transition Inside Corner	12 x 8 x 1-1/2"
<input type="checkbox"/> AXTR8QSOS__	8" Transition Outside Corner	12 x 8 x 1-1/2"
<input type="checkbox"/> AXTR10QSSIS__	10" Transition Inside Corner	12 x 10 x 1-1/2"
<input type="checkbox"/> AXTR10QSOS__	10" Transition Outside Corner	12 x 10 x 1-1/2"

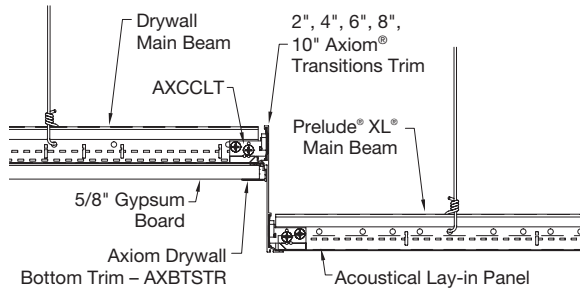


♦ Add the 2-letter color suffix to the item number when specifying or ordering (e.g., AXTR2QSSIS H A).
Axiom pre-mitered corners are field assembled.

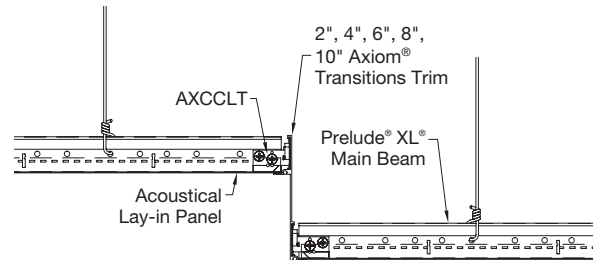
DETAILS

CAD drawings available on armstrongceilings.com/axiom

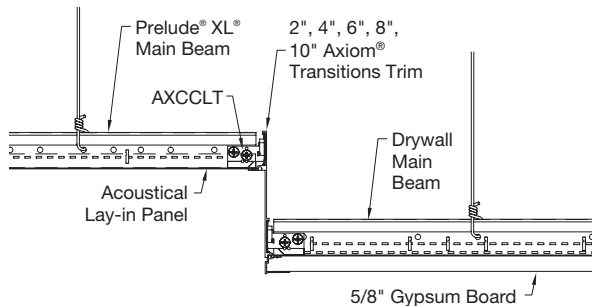
DRYWALL-TO-ACOUSTICAL



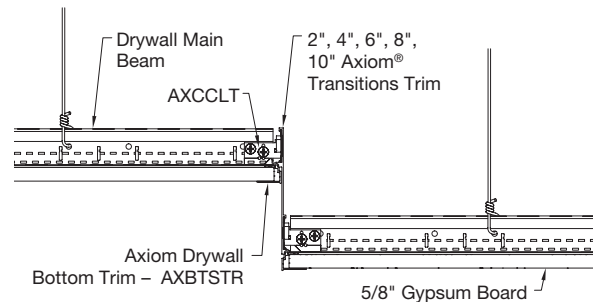
ACOUSTICAL-TO-ACOUSTICAL



ACOUSTICAL-TO-DRYWALL



DRYWALL-TO-DRYWALL





AXMSTR



AXMCUR



AXM34STR



AXM34CUR



AXM5050STR



AXM5050CUR



AXM5075STR



AXM5075CUR



AXM7575STR



AXM7575CUR



▲ Inova Women's and Children's Hospital, Falls Church, VA; Wilmot Sanz Architects, Gaithersburg, MD



AXIOM[®] Wall Moldings & Column Rings

This extruded aluminum trim provides crisp edge detailing compared to conventional roll-formed systems.

ACCESSORIES COMPLETE THE LOOK

- 5 molding profiles available, straight or curved, can be used as wall moldings or column rings
- Axiom[®] trim is part of the Sustain[™] portfolio and meets the most stringent sustainability compliance standards today
- Compatible with Armstrong[®] acoustical and drywall systems



▲ Bryant University Academic Innovation Center, Smithfield, RI; Einhorn Yaffee Prescott, Boston, MA

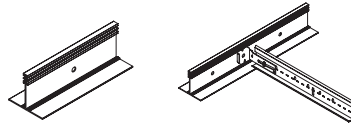
CLIPS & ACCESSORIES

The industry's largest assortment of clips and accessories can speed installations, reduce punch list items, and save you time and money.

AXIOM SLIP JOINT – SEISMIC

Used to join two acoustical ceiling systems on seismic D, E, F installations. Can also be used to join two different ceiling systems. Hanger wire holes every 6", beginning 3" from each end.

- AXSJ – 120" LF/each

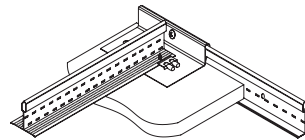


DW58LT CLIP

Drywall Transition Clip with Locking Tabs facilitates transition from drywall to acoustical ceiling; one-sided hold down clip; eliminates need for drywall bead. Locking tabs provide secure location for DGS cross tees.

LOCKING

- DW58LT – 5/8" Gypsum
- DW50LT – 1/2" Gypsum
125 pcs/bucket
- FZDW58LT – 5/8" Gypsum
- FZDW50LT – 1/2" Gypsum
50 pcs/bucket



NON-LOCKING

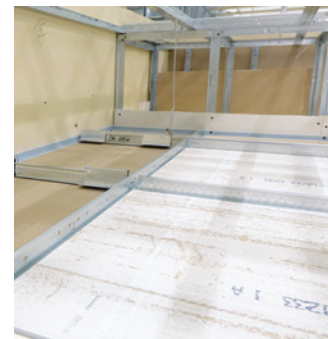
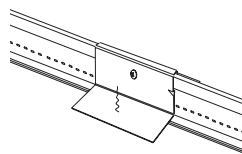
- DW58AG – 5/8" Gypsum
- DW50AG – 1/2" Gypsum
125 pcs/bucket



MBAC CLIP

Main Beam Adapter Clip attaches to web of suspension system section; provides larger surface for screw attachments; used as a hold down clip for thin material (metal or plastic lay-in panels); fastens drywall track to underside of exposed suspension system with lay-in panels, leaving suspension system face free of screw holes.

- MBACAG
70 pcs/bucket
- FZMBAC
50 pcs/bucket



TAKE THE NEXT STEP

877 276-7876

Customer Service Representatives
7:45 a.m. to 5:00 p.m. EST
Monday through Friday

TechLine – Technical information, detail drawings, CAD design assistance, installation information, other technical services – 8:00 a.m. to 5:30 p.m. EST, Monday through Friday. FAX 1 800 572 8324 or email: techline@armstrongceilings.com

armstrongceilings.com/exposedstructure

Latest product news
Standard and custom product information
Online catalog
CAD, Revit®, SketchUp® files
A Ceiling for Every Space® Visual Selection Tool
Product literature and samples – express service or regular delivery
Contacts – reps, where to buy, who will install

YOU INSPIRE™ SOLUTIONS CENTER

email: solutionscenter@armstrongceilings.com
armstrongceilings.com/youinspire

Design Assistance

Collaborative design
Detail drawings
Specifications
Planning and budgeting

Pre-construction Assistance

Layout drawings for standard and premium products
Project installation recommendations
Contractor installation assistance

you inspire™
solutions center

helping to bring your one-of-a-kind ideas to life

Revit® is a registered trademark of Autodesk, Inc.; SketchUp® is a registered trademark of Trimble, Inc.;
All other trademarks used herein are the property of AWI Licensing LLC and/or its affiliates
© 2021 AWI Licensing LLC • Printed in the United States of America

armstrongceilings.com/transitions

Armstrong®
CEILING & WALL SOLUTIONS