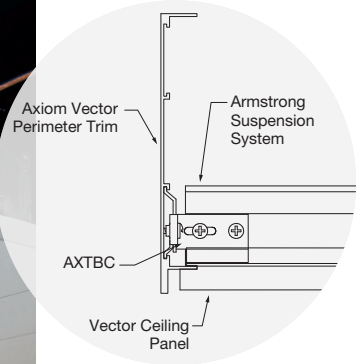


# AXIOM® Vector

## Curved Perimeter Trim



Axiom® Vector trim

This trim coordinates perfectly with Armstrong® Vector ceiling panels to mimic the 1/4" reveal with a narrow vertical fin profile.

### KEY SELECTION ATTRIBUTES

- Recommended for use with full-size Vector ceiling panels; preserves factory-cut Vector edge detail
- Adjustable Trim Clip (item 7329 purchased separately) allows for integration of Axiom Vector trim with WoodWorks and MetalWorks panels that drop greater than 3/8" below the grid flange. Reference installation instructions for requirements.
- Incorporates the sophisticated grid-hiding visual of a Vector ceiling with a perimeter
- **new** Dynamic curving capabilities
- Factory precision mitering and custom lengths available as special order
- Axiom trim is part of the Sustain™ portfolio and meets the most stringent industry sustainability compliance standards today
- CleanAssure™ family of products – includes disinfectable panels, suspension systems, and trim (Cleaning and CDC approved disinfecting options available on [armstrongceilings.com/cleaning](http://armstrongceilings.com/cleaning))
- Recommended for use with full-size Vector ceiling panels; preserves factory-cut Vector edge detail
- Colors coordinate with Armstrong® ceiling and suspension systems
- Extruded aluminum trim provides more crisp edge detailing compared to conventional roll-formed steel systems
- Compatible with Armstrong® exposed suspension systems and Drywall Grid Systems
- Custom slotting, perforating, and cutouts available

**COLORS** Due to printing limitations, shade may vary from actual product.

#### Standard



\* Colors that are pre-qualified to meet Sustain™ portfolio requirements are available upon request. Other made-to-order colors must be evaluated if sustainability criteria is required. Lead time will increase.

NOTE: 360° paint finishes, Wood-look finishes (ZZ), and custom colors available as special order. Curved items not available in Architectural Film Finishes (YY).

#### WOOD-LOOK FINISHES



TechLine 877 276-7876  
[armstrongceilings.com/axiomvector](http://armstrongceilings.com/axiomvector)



TRIM & TRANSITIONS – Standard

# AXIOM® Vector

## Curved Perimeter Trim



**LEED WELL LBC**

**50% RECYCLED CONTENT**

- energy management
- construction waste mgmt
- regional materials
- design for flexibility
- ALUMI-NUM
- EPD
- recyclable/repairable producer resp.
- biobased materials
- recycled content
- sourcing of raw materials
- material ingredient reporting
- low emitting materials
- lighting quality
- acoustics

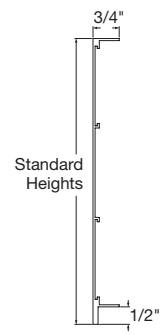
Calculate sustainability with Green Genie [armstrongceilings.com/greengenie](http://armstrongceilings.com/greengenie)

LOCATION DEPENDENT

Well Building Standard™ (WELL) Living Building Challenge® (LBC)

### VISUAL SELECTION

Item No. ♦	Description	Dimensions (Inches)	Unit of Measure	INCLUDED ACCESSORIES*		MINIMUM BEND RADIUS	
				AX-V-TBC	AXSPLICE2	Inside	Outside
AXIOM® Vector Curved AX2VECUR_ _ _ _	2" Curved Vector Perimeter Trim	Vary x 3/4 x 2-7/16"	LFT	5	1	18"	18"
AX4VECUR_ _ _ _	4" Curved Vector Perimeter Trim	Vary x 3/4 x 4"	LFT	5	2	18"	18"
AX6VECUR_ _ _ _	6" Curved Vector Perimeter Trim	Vary x 3/4 x 5-13/16"	LFT	5	2	18"	18"
AX8VECUR_ _ _ _	8" Curved Vector Perimeter Trim	Vary x 3/4 x 7-13/16"	LFT	5	2	18"	18"



♦ Add the 2- or 3-letter type and color suffix to the item number when specifying or ordering (Example: AX8VESTR H A \_), add an extra digit "3" before the color suffix if paint is required inside and outside of trim (Example: AX8VESTR 3 H A \_)  
 \* Number of Included Accessories is subject to change based on material length

### ACCESSORIES

Item No. ♦	Description
AXSPLICE2	Splice Plate with Setscrews
AXTBC	T-Bar Connection Clip
AX-V-TBC	T-Bar Clip for Vector® panel
7239	Adjustable Trim Clip

### DYNAMIC CURVING CAPABILITIES

Axiom® Dynamic Curving is a new manufacturing capability that enables straight and curved to be produced on a single, continuous piece of trim (single orientation only). This industry-first capability maximizes material usage with full-length pieces and minimizes joints and visible seams.



# AXIOM® Vector

## Curved Perimeter Trim



Declare

LEED WELL LBC

50% RECYCLED CONTENT

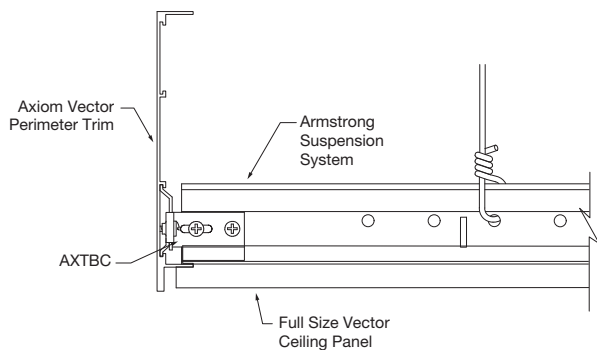
- energy management
- construction waste mgmt
- regional materials
- design for flexibility
- EPD
- recyclable/extended producer resp.
- biobased materials
- recycled content
- sourcing of raw materials
- material ingredient reporting
- low emitting materials
- lighting quality
- acoustics

LOCATION DEPENDENT

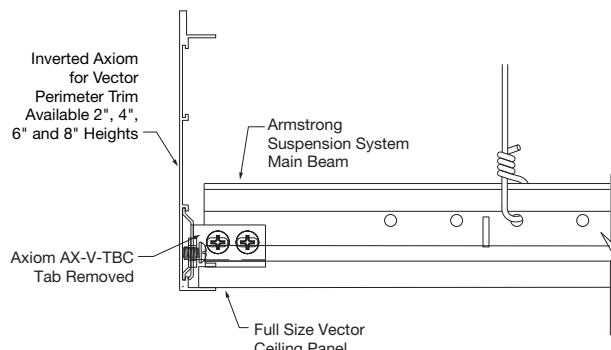
Calculate sustainability with Green Genie® [armstrongceilings.com/greengenie](http://armstrongceilings.com/greengenie)

Well Building Standard™ (WELL) Living Building Challenge® (LBC)

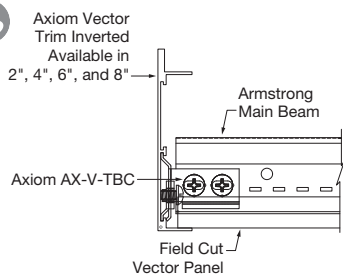
SECTION DETAILS CAD drawings available on [armstrongceilings.com/axiom](http://armstrongceilings.com/axiom)



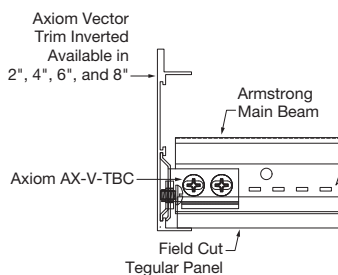
1 Full Size Vector Ceiling Panel with Axiom Vector Perimeter Trim



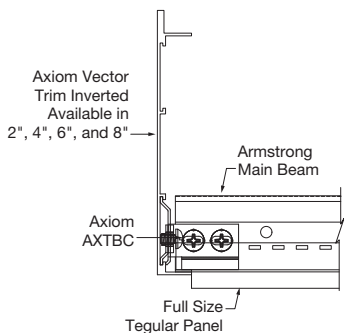
2 Full Size Vector Panel with Inverted Axiom Vector Perimeter Trim



3 Cut Vector Panel with Inverted Axiom Perimeter Trim



4 Cut Tegular Panel with Inverted Axiom Vector Perimeter Trim



5 Full Size Tegular Panel with Inverted Axiom Vector Perimeter Trim

### PHYSICAL DATA

**Material**  
Commercial quality 6063 aluminum alloy

**Surface Finish**  
3SC - 360 Painted Standard Colors  
(reference colors listed above)  
3ZB/3ZW - 360 Painted Blizzard/Charcoal Finish  
3RAL - 360 Painted RAL Colors  
3XX - 360 Painted Custom Colors, including metallic finishes  
SC- Standard Colors  
(reference colors listed above)  
ZW/ZB - Blizzard/Charcoal Finish  
RAL - RAL  
XX - Custom Colors, including metallic finishes  
ZZ - Wood-look  
YY - Architectural Film Finish (not available in curved)

**Cleaning & Disinfecting**  
Cleaning and CDC approved disinfecting options available on [armstrongceilings.com/cleaning](http://armstrongceilings.com/cleaning)

**Design Considerations**  
Physical product samples for standard and custom colors are available upon request. Please refer to the physical product sample prior to making a final selection. While we strive to ensure exact color matches, various factors such as differences in materials, texture, substrate porosity, painting processes, lighting, and observer subjectivity can all affect how paint colors appear on ceiling and wall panels, suspension systems, and trim products. Due to these and other differences, ceiling and wall panels, trim products, and suspension systems with the same color name will coordinate but may not be an exact color match. Product is dye-lotted. Order sufficient initial quantities and attic stock to minimize possible color variation.

**Warranty**  
10-Year Limited Warranty; 30-Year System Warranty

**Profile**  
Four standard height profiles available with 3/4" horizontal flange(s)

**Cross Tee/Main Beam Interface**  
Flush fit

**End Detail**  
Splice with screws



TRIM & TRANSITIONS - Standard