

AXIOM® Paired

For AXIOM® Classic or AXIOM® Vector
Straight and Curved Suspension Systems



SUSTAIN™
High Performance
Sustainable
Ceiling Systems



Axiom® – Paired trim in Silver Grey

Create a dramatic contemporary design aesthetic using Axiom® Classic or Vector trim profiles.

KEY SELECTION ATTRIBUTES

- Unique system allows tandem sections of curved or straight Axiom® trim to run parallel with a 5/8" or 1-3/8" reveal between profiles
- Axiom® Paired is part of the Sustain™ portfolio and meets the most stringent industry sustainability compliance standards today
- CleanAssure™ family of products – includes disinfectable panels, suspension systems, and trim (Cleaning and CDC approved disinfecting options available on armstrongceilings.com/cleaning)
- Design option to accent open plenum spaces or below acoustical ceilings
- Extruded aluminum provides crisp profiles, smooth connections, and excellent corrosion resistance compared to steel systems
- Colors coordinate with Armstrong® ceiling and suspension systems; custom colors available
- Suspended from structure above or below acoustical ceiling

COLORS Due to printing limitations, shade may vary from actual product.

Standard



NOTE: 360° paint finishes and custom colors available as special order

ARCHITECTURAL FILM FINISHES (White or Black background)



NOTE: White is standard color for all AXIOM® products.

POWDER-COATED FINISHES



NOTE: Powder-coated finishes available on select Axiom® Classic, Knife Edge®, and Vector trim profiles



Available in any RAL or Custom Color*

* Colors that are pre-qualified to meet Sustain™ portfolio requirements are available upon request. Other made-to-order colors must be evaluated if sustainability criteria is required. Lead time will increase.

WOOD LOOKS FINISHES



Coordinates with Effects™ Wood Looks finishes for MetalWorks™ Tegular, Vector, and Linear ceilings.

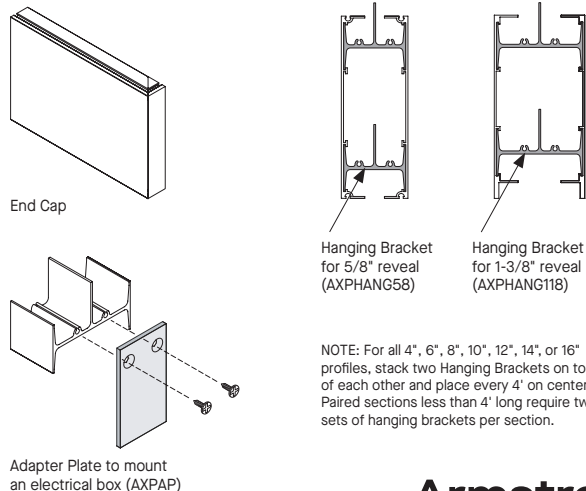
VISUAL SELECTION

| | Item No. ◆ | Description |
|-------------------------|-------------|--|
| AXIOM® Paired End Caps* | AX2WEC __ | Welded End Cap for 2" Axiom – Classic |
| | AX4WEC __ | Welded End Cap for 4" Axiom – Classic |
| | AX6WEC __ | Welded End Cap for 6" Axiom – Classic |
| | AX8WEC __ | Welded End Cap for 8" Axiom – Classic |
| | AX10WEC __ | Welded End Cap for 10" Axiom – Classic |
| | AX12WEC __ | Welded End Cap for 12" Axiom – Classic |
| | AXVE2WEC __ | Welded End Cap for 2" Axiom – Vector |
| | AXVE4WEC __ | Welded End Cap for 4" Axiom – Vector |
| | AXVE6WEC __ | Welded End Cap for 6" Axiom – Vector |
| Accessories | AXSPICE2 | Splice Plate with Setscrews |
| | AXPAP | Adapter Plate for Electrical Box |
| | AXPHANG58 | Hanging Bracket for 5/8" reveal |
| | AXPHANG118 | Hanging Bracket for 1-3/8" reveal |

◆ Add the 2-letter color suffix to the item number when specifying or ordering (Example: AX2WEC BL).
* Two (2) end caps are needed to create one (1) Axiom Paired end cap

DETAILS

CAD drawings available on armstrongceilings.com/axiom



NOTE: For all 4", 6", 8", 10", 12", 14", or 16" profiles, stack two Hanging Brackets on top of each other and place every 4' on center. Paired sections less than 4' long require two sets of hanging brackets per section.

AXIOM® Paired

For AXIOM® Classic or AXIOM® Vector
Straight and Curved Suspension Systems



LEED® WELL™ LBC

50% RECYCLED CONTENT

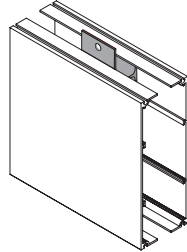
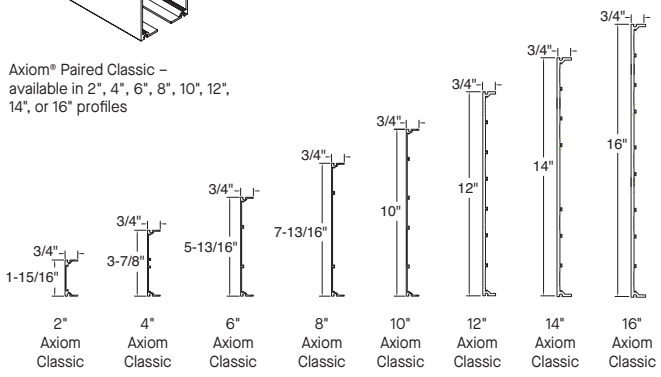
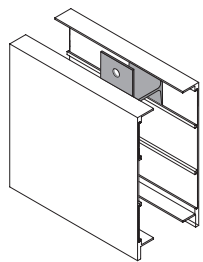
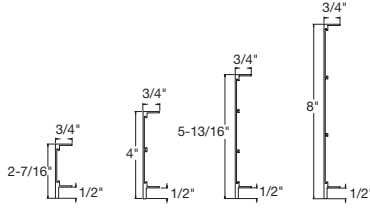
energy management
construction waste mgmt
regional materials
design for flexibility
EPD
recyclable/ bio-based materials
producer resp.
recycled content
sourcing of low materials
material ingredient reporting
low emitting/ materials
lighting quality
acoustics

Calculate sustainability with Green Genie
armstrongceilings.com/greengenie

Well Building Standard™ (WELL) Living Building Challenge® (LBC)

LOCATION DEPENDENT

VISUAL SELECTION

| | Item No. ◆ | Description | Dimensions (Inches) | |
|---|----------------|-------------------|---------------------|--|
| AXIOM® Classic Trim (available straight or curved) | AX16STR*_ _ _ | 16" Straight Only | 120 × 3/4 × 16" |  <p>Axiom® Paired Classic – available in 2", 4", 6", 8", 10", 12", 14", or 16" profiles</p>  |
| | AX14STR*_ _ _ | 14" Straight Only | 120 × 3/4 × 14" | |
| | AX12STR_ _ _ | 12" Straight | 120 × 3/4 × 12" | |
| | AX12CUR*_ _ _ | 12" Curved | Vary x 3/4 × 12" | |
| | AX10STR_ _ _ | 10" Straight | 120 × 3/4 × 10" | |
| | AX10CUR*_ _ _ | 10" Curved | Vary x 3/4 × 10" | |
| | AX8STR_ _ _ | 8" Straight | 120 × 3/4 × 8" | |
| | AX8CUR*_ _ _ | 8" Curved | Vary x 3/4 × 8" | |
| | AX6STR_ _ _ | 6" Straight | 120 × 3/4 × 6" | |
| | AX6CUR*_ _ _ | 6" Curved | Vary x 3/4 × 6" | |
| | AX4STR_ _ _ | 4" Straight | 120 × 3/4 × 4" | |
| | AX4CUR*_ _ _ | 4" Curved | Vary x 3/4 × 4" | |
| | AX2STR_ _ _ | 2" Straight | 120 × 3/4 × 2" | |
| | AX2CUR*_ _ _ | 2" Curved | Vary x 3/4 × 2" | |
| AXIOM® Vector | AX2VESTR_ _ _ | 2" Straight | 120 × 3/4 × 2" |  <p>Axiom Paired Vector – available in 2", 4", 6" or 8" profiles</p>  |
| | AX2VECUR*_ _ _ | 2" Curved | Vary x 3/4 × 2" | |
| | AX4VESTR_ _ _ | 4" Straight | 120 × 3/4 × 4" | |
| | AX4VECUR*_ _ _ | 4" Curved | Vary x 3/4 × 4" | |
| | AX6VESTR_ _ _ | 6" Straight | 120 × 3/4 × 6" | |
| | AX6VECUR*_ _ _ | 6" Curved | Vary x 3/4 × 6" | |
| | AX8VESTR_ _ _ | 8" Straight | 120 × 3/4 × 8" | |
| AX8VECUR*_ _ _ | 8" Curved | Vary x 3/4 × 8" | | |

◆ Add the 2- or 3-digit color suffix to the item number when specifying or ordering (Example: AX2STR H A)
 Add an extra digit "3" before the color suffix if paint is required inside and outside of trim (Example: AX2STR 3 H A).
 * Not available in architectural film finishes.

PHYSICAL DATA

Material
 Paired Channel and End Cap: Extruded aluminum, alloy 6063
 Hanging Bracket: Commercial quality aluminum;
 Splice Plate: Galvanized steel

Surface Finish
 Factory-applied baked polyester paint finish

Cleaning & Disinfecting
 Cleaning and CDC approved disinfecting options available on armstrongceilings.com/cleaning

Warranty
 10-year limited warranty
 30-year system warranty

