

TECTUM® Direct-Attach
TECTUM Direct-Attach
High NRC
Acoustical Ceiling Panels
coarse texture

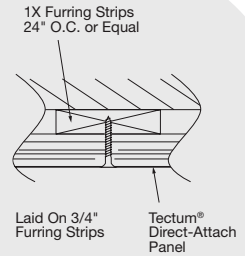


FAST134
Select Items Ship Fast
armstrongceilings.com/fast134



Tectum Direct-Attach High NRC ceiling panels in White

CAD/Revit® drawings at:
armstrongceilings.com/cadrevit



TECTUM® CREATE!
CUSTOM CEILINGS AND WALLS



armstrongceilings.com/tectumcreate

Tectum® Direct-Attach and Direct-Attach High NRC ceiling panels provide durable, sustainable, acoustical options for a wide variety of applications.

KEY SELECTION ATTRIBUTES

- new** • Tectum Direct-Attach panels now have UL® Certified acoustics with acoustical testing and reporting that align with industry-wide best practices
- new** • Tectum Direct-Attach High NRC panels have a proprietary factory-applied acoustical backer, adding sound absorption that is certified by UL
- CleanAssure™ family of products – includes disinfectable panels, suspension systems, and trim (standard colors only)
- new** • Select products included in the FAST134 program – ready to ship in 4 weeks or less
- new** • Sustainable Beyond Standard: Custom sizes in 1" thickness and all standard panels are part of the Sustain® portfolio and meet the most stringent industry sustainability compliance standards today
- Install 1"-thick Tectum® Direct-Attach on Trusses and I-Beams for added acoustics while maintaining an exposed structure visual on the deck
- Long edges beveled, short edges beveled available as a standard option
- Great retrofit solution for noise reduction
- Excellent sound absorption – NRC up to 0.85 (1" panel, C-40 Mounting)
- Can be field painted up to 6 times without impacting acoustic or fire performance
- Variety of made-to-order color options available
- Can be mechanically fastened to a wide variety of surfaces including masonry, drywall, drywall grid system, wood, trusses, I-Beams, and more
- USDA Biobased content: 98%

COLORS Due to printing limitations, shade may vary from actual product.



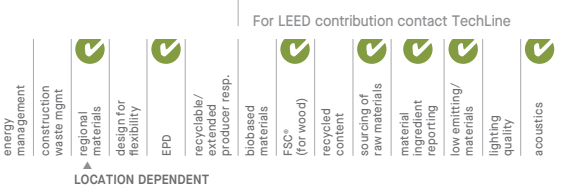
* For Tectum Direct-Attach only. Colors that are pre-qualified to meet Sustain portfolio requirements are available upon request. Other made-to-order colors must be evaluated if sustainability criteria is required. Lead time will increase.

DETAILS



1. Tectum Direct-Attach panel in White (TWH)
2. Tectum Direct-Attach panel in White (TWH)
3. Tectum Direct-Attach High NRC panel with proprietary acoustical backer

TECTUM® Direct-Attach TECTUM Direct-Attach High NRC Acoustical Ceiling Panels coarse texture



For LEED contribution contact TechLine

VISUAL SELECTION

Item No. ♦	Dimensions W x L x H (Inches)
TECTUM® Direct-Attach Ceiling Panels (FSC® Certified)	23-3/4 × 48 × 1"
Long Edges Beveled/Short Edges Square	23-3/4 × 96 × 1"
	47-3/4 × 96 × 1"
Long Edges Beveled/Short Edges Beveled*	23-3/4 × 48 × 1"
	23-3/4 × 96 × 1"
	47-3/4 × 96 × 1"
Other Size Panels	W 23-3/4" - 48" L: 12" - 144" 1", 1-1/2", or 2" thickness



FAST134 program items ready to ship from manufacturer in 4 weeks or less. Up-to-date lead times and product options (sizes and colors) at armstrongceilings.com/fast134

♦ When specifying or ordering, include the appropriate 3-digit color suffix TNA = Natural TWH = White (e.g. 8182T10 I W H)
* Four-sided beveled edge panels are recommended in adjoining panel installations.

ACCESSORIES See next page for full list of accessories.

PHYSICAL DATA

Material
Cementitious Wood Fiber; FSC-certified. For more information about FSC-certified fire-retardant products, or to view our FSC-certification letter, contact TechLine at 1 877 276-7876.

Tectum® High NRC panels have an acoustical fleece.

Surface Finish
Factory-applied latex paint on abuse-resistant silicate surface coating. Natural finish is unpainted but, after coating is applied, panels may appear light in color.

Panels are painted on the edge, however due to fibrous texture of panels, certain angles and lighting conditions will make edge appear less or more painted.

Can be field painted up to 6 times without impacting acoustic or fire performance. See installation instructions for details on paint and application method.

Fire Performance
Class A per IBC. Flame Spread Index 25 or less and Smoke Developed Index 50 or less when tested in accordance with ASTM E84.

CAN/ULC S102 surface burning characteristics. Flame Spread Index of 25 or less and Smoke Developed Index of 50 or less.

VOC Emissions
Third-party certified compliant with California Department of Public Health CDPH/EHLB/Standard Method Version 1.2, 2017. This standard is the guideline for low emissions in LEED®, WELL Building Standard™, CalGreen Title 24, ANSI/ASHRAE/USGBC/IES Standard 189; ANSI/GBI Green Building Assessment Protocol.

Humidity/Sag Resistance
HumiGuard® Plus performance panels are recommended for areas subject to high humidity, up to, but not including, standing water and outdoor applications.

Anti-Mold/Mildew
Ceiling panels with BioBlock® performance resist the growth of mold and mildew on the panel surface.

Installation Considerations
Panels must be mechanically attached to approved substrate per installation instructions. To achieve proper finished visual, panels should be installed in an ashlar pattern. Four-sided beveled edge panels are recommended in adjoining panel installations.

Use caution and wear appropriate hand, eye, and dust mask protection when cutting and installing Tectum panels. Refer to installation instructions for complete details and cutting recommendations.

Primary (Embodied) Energy
See all LCA information on our EPDs.

Application Considerations
Color variation among panels is common due to the natural characteristics of the wood on White and Natural panels.

Wood fibers may appear orange on natural-colored panels due to the characteristics of the wood.

Design Considerations
Maximum panel size for Truss and I-Beam application is 24 × 48 × 1".

Seismic Restraint
Tectum Direct-Attach panels are approved for application in all seismic areas when installed per the seismic guidelines in the Armstrong Ceilings Installation Instructions.

Cleaning and Disinfecting
Cleaning and CDC approved disinfecting options available on armstrongceilings.com/cleaning

Warranty
30-Year Warranty. Details at armstrongceilings.com/warranty

FAST134 Program Considerations
Size of Job Matters: Big jobs over 2500 SF, or 50 pieces for shapes/vertical elements, will have longer lead times.

Location Matters: Transit time not included. We are ready to ship in 1 week on FAST1 items. However, transit to the states west of Wyoming may add time.

Distributor Truck Schedule Matters: We rely on distribution to help move products around the country. When speed matters, work with your local distributor to ensure FAST134 service.

Stock vs Made-to-Order Matters: FAST3 & FAST4 items are made-to-order and will ship direct to distributor. FAST1 (stocked items) will go through distribution and depend on distributor truck schedules.

Weight, Pcs and SF/Pallet
1" - 1.65 lbs/SF 1-1/2" - 2.53 lbs/SF
2" - 3.3 lbs/SF
8180T10, 8173T10 - 36 pcs/pallet; 1,152 SF/pallet
8181T10, 8174T10 - 72 pcs/pallet; 1,152 SF/pallet
8182T10, 8175T10 - 72 pcs/pallet; 572 SF/pallet
5338W4L08T10, 5338W4L04T10, 5338W2L08T10, 5338W2L04T10 - sold by the piece



PERFORMANCE

Dots represent high level of performance.

Fire Rating	Light Reflect	Anti-Mold/Mildew	Sag Resist	Certified Low VOC Emissions	CleanAssure™ Disinfectable Panels	DURABILITY	30-Yr Warranty
Class	Up to				Fog	Impact	Scratch
Up to A	0.75	*	*	*	*	*	*
Up to A	0.75	*	*	*	*	*	*
Up to A	0.75	*	*	*	*	*	*
Up to A	0.75	*	*	*	*	*	*
Up to A	0.75	*	*	*	*	*	*
Up to A	0.75	N/A	N/A	N/A	*	*	*

ACOUSTICAL INFORMATION

Panel Thickness	UL Classified Acoustics NRC	Mounting Method
1"	0.40	A
	0.45	D-20
	0.80	C-20
1-1/2"	0.85	C-40
	0.50	A
	0.55	D-20
2"	0.90	C-20
	0.90	C-40
	0.65	A
	0.70	D-20
	0.95	C-20
	1.00	C-40

TECTUM® Direct-Attach TECTUM Direct-Attach High NRC

Acoustical Ceiling Panels
coarse texture

VISUAL SELECTION

Item No. ◆	Dimensions W x L x H (Inches)
TECTUM Direct-Attach High NRC Ceiling Panels (FSC® Certified) Long Edges Beveled/Short Edges Square	5338W2L04T10_ _ _ 23-3/4 x 48 x 1"
	5338W4L04T10_ _ _ 47-3/4 x 48 x 1"
	5338W2L08T10_ _ _ 23-3/4 x 96 x 1"
	5338W4L08T10_ _ _ 47-3/4 x 96 x 1"

◆ When specifying or ordering, include the appropriate 3-digit color suffix TNA = Natural TWH = White (e.g. 8182T10 I W H)
* Four-sided beveled edge panels are recommended in adjoining panel installations.

PERFORMANCE

Dots represent high level of performance.

Fire Rating	Light Reflect	Anti-Mold/Mildew	Sag Resist	Certified Low VOC Emissions	Class	Up to	0.75	•	•	•	•	•	•	•	•	•
Class A	Up to 0.75	•	•	•	•	•	•	•	•	•	•	•	•	•	•	•
Class A	Up to 0.75	•	•	•	•	•	•	•	•	•	•	•	•	•	•	•
Class A	Up to 0.75	•	•	•	•	•	•	•	•	•	•	•	•	•	•	•
Class A	Up to 0.75	•	•	•	•	•	•	•	•	•	•	•	•	•	•	•

ACOUSTICAL INFORMATION

Panel Thickness	UL Classified Acoustics	Mounting Method
1" High NRC	0.60	D-20

ACCESSORIES

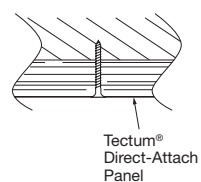
Item No. ◆	Description	Quantity	Item No. ◆	Description	Quantity
1222	Truss Fastening Kit - Field Paintable	20/ctn	8187L16_ _ _	#6 x 1-5/8" Painted Head - Sharp point Screws	1000/ctn
1222WH	Truss Fastening Kit White	20/ctn	8188L16_ _ _	#6 x 1-5/8" Painted Head - Drill point Screws	1000/ctn
1222BL	Truss Fastening Kit Black	20/ctn	8189L22_ _ _	2-1/4" Painted Head - CMU Screws	500/ctn

◆ When specifying or ordering, include the appropriate 3-digit color suffix
TNA = Natural; TWH = White (e.g. 8187L16 I W H) Consult installation instructions for fastener guidance.

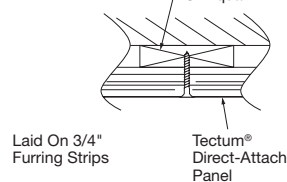
NOTE: Projects may require alternative screw lengths and types depending on site conditions. Please consult installation instructions for guidance.

ACOUSTICAL MOUNTING METHODS

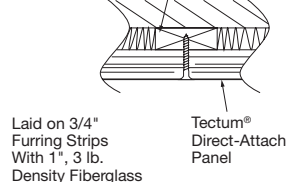
Mounting A



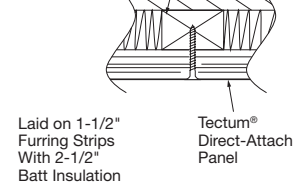
Mounting D-20



Mounting C-20



Mounting C-40

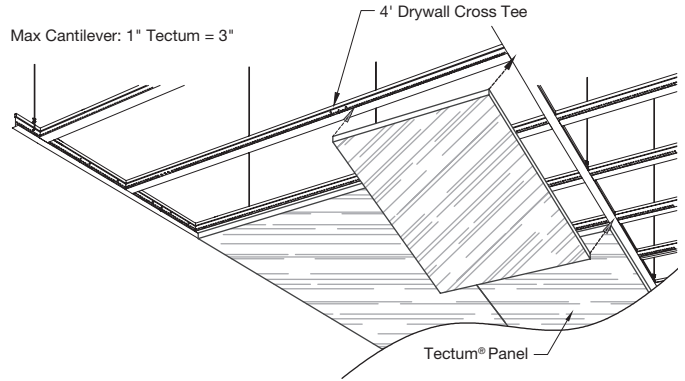
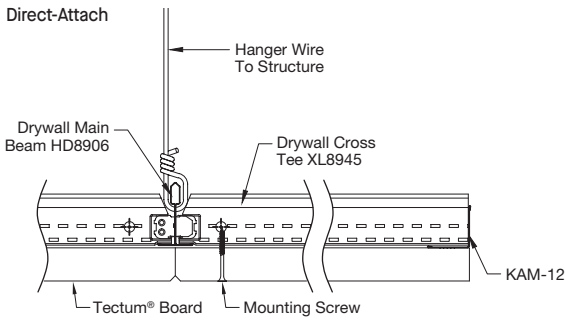


DIRECT-TO-STRUCTURE - Standard

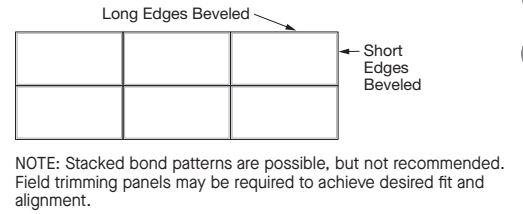
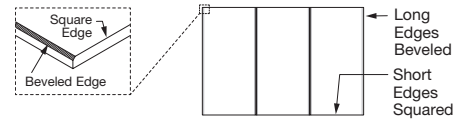
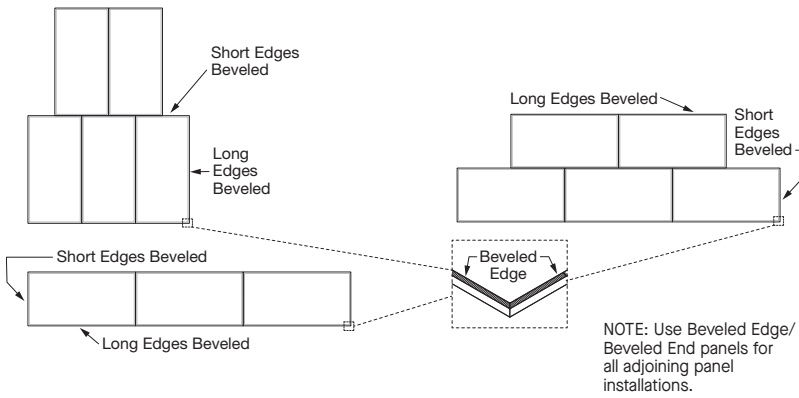
TECTUM® Direct-Attach TECTUM Direct-Attach High NRC

Acoustical Ceiling Panels
coarse texture

DRYWALL GRID SYSTEM MOUNTING METHOD

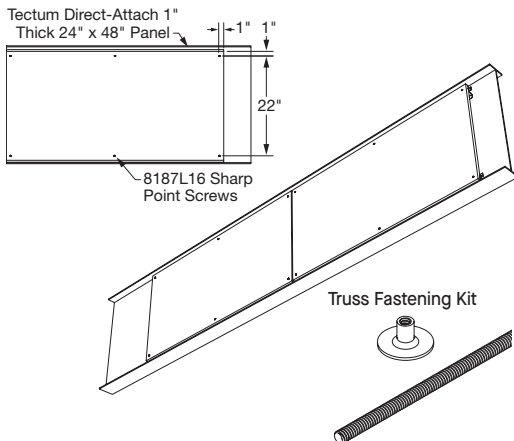


EDGE DETAIL



I-BEAM AND TRUSS INSTALLATION

I-Beam Installation



Truss Installation

