

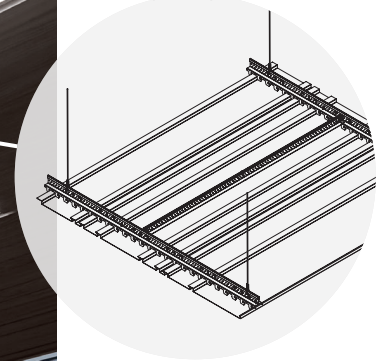
METALWORKS™ Linear – Classics
Interior & Exterior
smooth texture



FAST134
Select Items Ship Fast
armstrongceilings.com/fast134



CAD/Revit® drawings at:
armstrongceilings.com/cadrevit



plus capabilities
to do more



armstrongceilings.com/capabilities
See more photos at:
armstrongceilings.com/photogallery

MetalWorks™ Linear – Classics ceiling system in Effects™ Walnut Espresso with custom color filler strips

Durable, metal panels in more widths for a variety of flexible and unique acoustical interior/exterior solutions.

KEY SELECTION ATTRIBUTES

- Universal suspension system will enable easy installation and a clean finished visual
- Nominal 2", 4", 6", 8", 10", and 12" wide panels, including nominal 1" reveal (contact ASQuote for custom capabilities at asquote@armstrongceilings.com)
- Discontinuous ceilings possible with Effects™ trim or Axiom® trim, using the Adjustable Trim Clip
- Mix and match widths for a striated visual
- CleanAssure™ family of products – includes disinfectable panels, suspension systems, and trim



- Select products included in the FAST134 program – ready to ship in 4 weeks or less
- Install in the ceiling, on the wall
- Create 90° angled or curved ceiling-to-wall transitions
- Available for exterior applications when using M1 planks. Tested to meet wind uplift Classes 30, 60, 90
- Acoustical options with microperforated panels
- Fast and easy installation

METALWORKS™ Linear – Classics

Interior & Exterior

smooth texture

LEED WELL™ LBC

UP TO **25% RECYCLED CONTENT**

For LEED contribution contact TechLine

energy management	construction waste mgmt	regional materials	design for flexibility	EPD	recyclable/curable producer resp.	biobased materials	recycled content	sourcing of raw materials	material ingredient reporting	low emitting materials	lighting quality	acoustics

LOCATION DEPENDENT

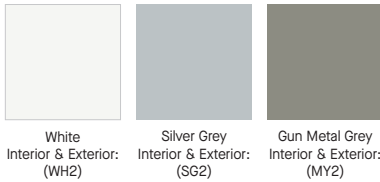
WITH INFILL PANEL



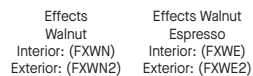
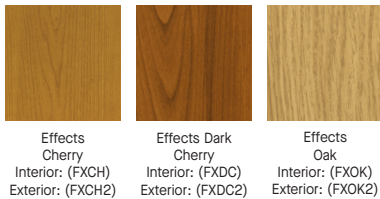
MetalWorks™ Linear – Classics Ceiling System with 4" Perforated and Unperforated panels in White

STANDARD COLORS & FINISHES

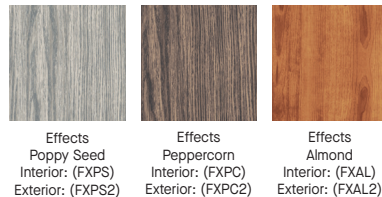
Painted Finishes



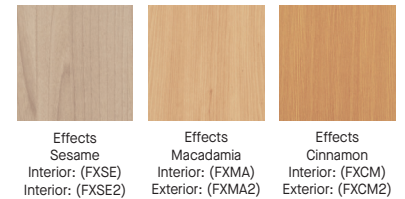
Effects™ Classic Dye-Sublimation



Effects™ Bold Dye-Sublimation



Effects™ Subtle Dye-Sublimation



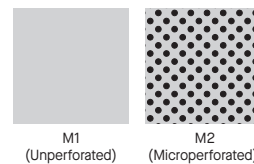
Due to printing limitations, shade may vary from actual product.

CUSTOM COLORS & FINISHES



For custom options contact ASQuote,
ASQuote@armstrongceilings.com

PERFORATION OPTIONS (1:2 scale shown)



NOTE: Exterior planks available in M1 perforation only



METALWORKS™ Linear – Classics

Interior & Exterior

smooth texture

LEED WELL LBC

UP TO **25% RECYCLED CONTENT**

For LEED contribution contact TechLine

energy management, construction waste mgmt, regional materials, design for flexibility, EPD, recyclable/extended producer resp., bio-based materials, recycled content, sourcing of raw materials, material ingredient reporting, low emitting materials, lighting quality, acoustics

LOCATION DEPENDENT

WITH INFILL PANEL

VISUAL SELECTION

Item No. ♦	Description	Dimensions Nominal W x L x H (Inches) Custom Sizes Available
METALWORKS™ Linear – Classics Planks		
Interior & Exterior		
8120_-----	2" Unperforated	96 × 2 × 5/8"
5490_-----	4" Unperforated	96 × 4 × 5/8"
7160_-----	6" Unperforated	96 × 6 × 5/8"
5491_-----	8" Unperforated	96 × 8 × 5/8"
8122_-----	10" Unperforated	96 × 10 × 5/8"
5570_-----	12" Unperforated	96 × 12 × 5/8"
METALWORKS Linear - Classics Planks		
Interior Only		
8121_-----	2" Microperforated (with plain border and acoustical fleece)	96 × 2 × 5/8"
5492_-----	4" Microperforated (with plain border and acoustical fleece)	96 × 4 × 5/8"
7161_-----	6" Microperforated (with plain border and acoustical fleece)	96 × 6 × 5/8"
5493_-----	8" Microperforated (with plain border and acoustical fleece)	96 × 8 × 5/8"
8123_-----	10" Microperforated (with plain border and acoustical fleece)	96 × 10 × 5/8"
5571_-----	12" Microperforated (with plain border and acoustical fleece)	96 × 12 × 5/8"

PERFORMANCE

Dots represent high level of performance.

Fire Performance (White only)	CleanAssure™ Disinfectable Panels							DURABILITY				Acoustics
	Fog	Spray	Wipe	Wash	Scrub	Impact	Scratch	Soil	Soil			
Class A	0.73	*	*	*	*	*	*	*	*	*	N/A	
Class A	0.73	*	*	*	*	*	*	*	*	*	N/A	
Class A	0.73	*	*	*	*	*	*	*	*	*	N/A	
Class A	0.73	*	*	*	*	*	*	*	*	*	N/A	
Class A	0.73	*	*	*	*	*	*	*	*	*	N/A	
Class A	N/A	*	*	*	*	*	*	*	*	*	N/A	
Class A	N/A	*	*	*	*	*	*	*	*	*	0.70	
Class A	N/A	*	*	*	*	*	*	*	*	*	0.85*	
Class A	N/A	*	*	*	*	*	*	*	*	*	0.70	
Class A	N/A	*	*	*	*	*	*	*	*	*	0.85*	
Class A	N/A	*	*	*	*	*	*	*	*	*	0.70	
Class A	N/A	*	*	*	*	*	*	*	*	*	0.85*	



FAST134 program items ready to ship from manufacturer in 4 weeks or less.
Up-to-date lead times and product options (sizes and colors) at armstrongceilings.com/fast134

♦ When specifying or ordering, include the appropriate 3- or 4-letter color suffix (e.g., 5492 W H 2, 5570 E X C H).
When specifying or ordering exterior finishes, place a "2" after the item color suffix (e.g., 5491 E X C H 2).
NOTE: Exterior finishes are only available on M1 planks.
* NRC 0.85 with optional fiberglass infill.



METALWORKS™ Linear – Classics

Interior & Exterior
smooth texture

LEED® WELL | LBC

UP TO **25% RECYCLED CONTENT**

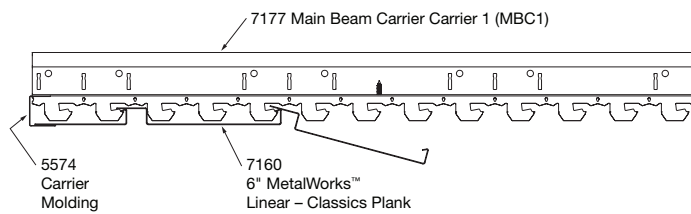
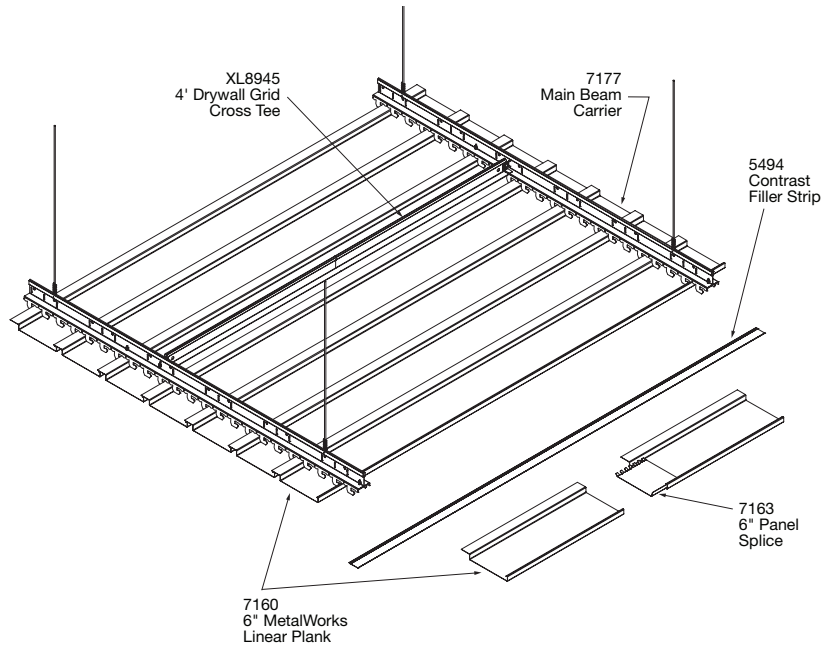
For LEED contribution contact TechLine

energy management	construction waste mgmt	regional materials	design for flexibility	EPD	recyclable/producer resp.	biobased materials	recycled content	sourcing of raw materials	material ingredient reporting	low emitting materials	lighting quality	acoustics

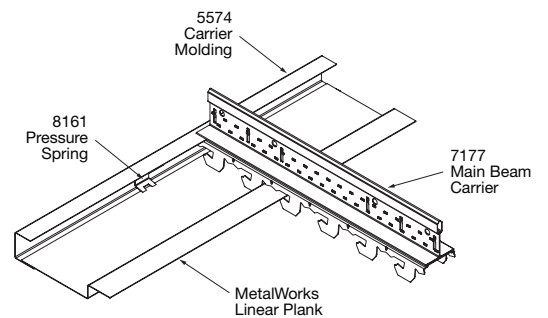
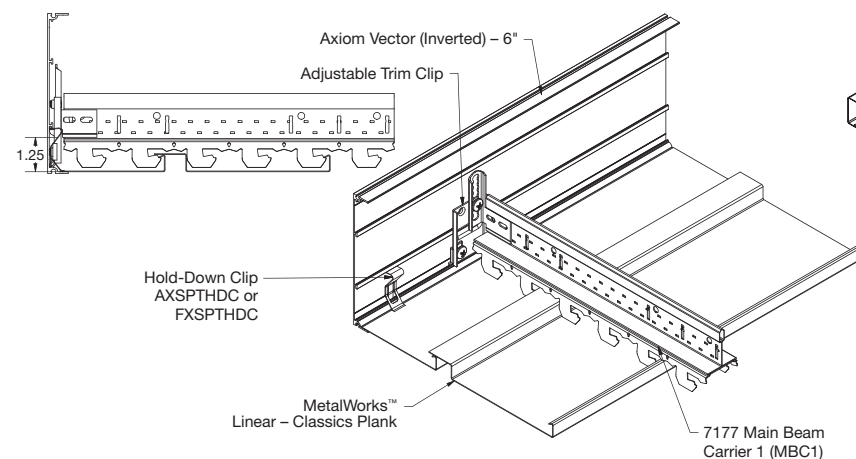
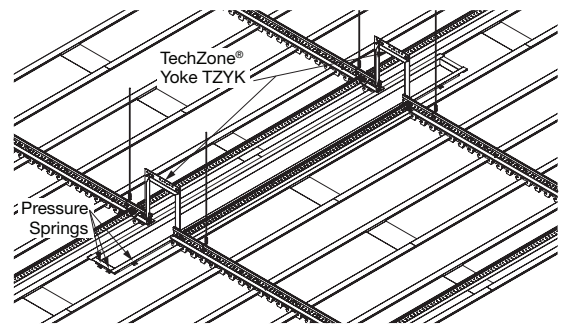
LOCATION DEPENDENT

WITH INFILL PANEL

INSTALLATION DETAILS



Linear Light Integration



METALWORKS™ Linear – Classics

Interior & Exterior

smooth texture

LEED WELL LBC
UP TO **25% RECYCLED CONTENT**

energy management
construction waste mgmt
regional materials
design for flexibility
EPD
recycle/extended producer resp.
biobased materials
recycled content
sourcing of raw materials
material ingredient reporting
low emitting materials
lighting quality
acoustics

For LEED contribution contact TechLine

LOCATION DEPENDENT

WITH INFILL PANEL

SUSPENSION SYSTEM & ACCESSORIES

	Item No. ◆	Description	Dimensions (Inches) Nominal W x L x H	Color	Pieces/Carton
Suspension Systems Interior & Exterior	7177	Main Beam Carrier Assembly – G90 Mill Finish	144 × 1-3/4 × 2-3/4"	N/A	10
	XL8945P	4' Drywall Cross Tee - Interior Only	48 × 1-1/2 × 1-1/2"	N/A	36
	XL8945G90	FrameAll™ 4' Drywall Cross Tee	48 × 1-1/2 × 1-1/2"	N/A	36
	XL7936G90	3' Drywall Cross Tee – Exterior	36 × 1-1/2 × 1-1/2"	N/A	36
	XL8926G90	2' Drywall Cross Tee – Exterior	24 × 1-1/2 × 1-1/2"	N/A	36
Wall-to-Wall Installations	8161	Pressure Spring	3/4 × 3/4 × 1-1/8"	N/A	50
	BERC2	Beam End Retaining Clip	N/A	N/A	200
	5574_ _ _ _ _	Carrier Molding Molding - Exterior Available	120 × 1 × 1"	WH, SG, MY, BL and all Effects Wood Looks	10
	7800_ _ _ _ _	Hemmed Angle Molding	144 × 7/8 × 7/8"	WH, BL	30
	HD7801G90_ _	10' Hemmed Angle Molding – Exterior	120 × 7/8 × 7/8"	N/A	30
	Floating Cloud Installations	AX6VESTR_ _	Axiom® Vector® Trim – 6" Straight	3/4 × 120 × 6"	WH, SG, MY, BL*
AX6VECUR		Axiom® Vector® Trim – 6" Curved	3/4 × 120 × 6"	WH, SG, MY, BL*	N/A
AX6STR_ _ _ _		Axiom® Classic Trim – 6" Straight	3/4 × 120 × 6"	WH, SG, MY, BL*	N/A
AX6CUR_ _ _ _		Axiom® Classic Trim – 6" Curved	3/4 × 120 × 6"	WH, SG, MY, BL*	N/A
7239		Adjustable Trim Clip	N/A	N/A	60
5344_ _ _ _ _		4" Effects™ Wood Looks Trim	Nominal 120" length	All Effects Wood Looks	6
5346_ _ _ _ _		6" Effects Wood Looks Trim	Nominal 120" length	All Effects Wood Looks	6
FXSPTHDC		Hold-Down Clip for Cut Panel Installations	N/A	N/A	10
Other Accessories		7237	Cut Plank Support Bracket	2-1/2 × 2-1/2 × 1-1/4"	N/A
	5494	Contrast Filler Strip	96 × 1-1/4 × 1/16"	50	Black

* Items with the same finish name will coordinate but may not be an exact color match.
 ◆ When specifying or ordering, include the appropriate 4- or 5-letter color suffix (e.g., 5583 E X C H, 5583 E X C H 2).
 NOTE: Due to the non-standard suspension system of this product, call TechLine at 1 877 276 7876 to place an order.

METALWORKS™ Linear – Classics

Interior & Exterior

smooth texture

LEED WELL | LBC

UP TO 25% RECYCLED CONTENT

For LEED contribution contact TechLine

- energy management
- construction waste mgmt
- regional materials
- design for flexibility
- EPD
- recyclable/producer resp.
- biobased materials
- recycled content
- sourcing of raw materials
- material ingredient reporting
- low emitting materials
- lighting quality
- acoustics

LOCATION DEPENDENT

WITH INFILL PANEL

ACCESSORIES

	Item No. ◆	Description	Pieces/ Carton	Finish Selection
Splice Plates	8159	2" Panel Splice	50	N/A
	5495	4" Panel Splice	50	N/A
	7163	6" Panel Splice	50	N/A
	5496	8" Panel Splice	50	N/A
	8138_ _ _ _ _	2" End Cap	50	WH, SG, MY and all Effects Wood Looks
End Caps	5581_ _ _ _ _	4" End Cap	50	WH, SG, MY and all Effects Wood Looks
	7162_ _ _ _ _	6" End Cap	50	WH, SG, MY and all Effects Wood Looks
	5582_ _ _ _ _	8" End Cap	50	WH, SG, MY and all Effects Wood Looks
	8139_ _ _ _ _	10" End Cap	50	WH, SG, MY and all Effects Wood Looks
	5583_ _ _ _ _	12" End Cap	50	WH, SG, MY and all Effects Wood Looks

◆ When specifying or ordering, include the appropriate 4- or 5-letter color suffix (e.g., 5583 E X C H, 5583 E X C H 2).

PHYSICAL DATA

Material
Electrogalvanized Steel – thickness 0.028"

Surface Finish
Available in White, Silver Grey, Gun Metal Grey, Tech Black, and Effects™ Wood Looks powder-coated, post-production finishes. Natural Reflections finishes and other colors are available as custom. Contact ASQuote@armstrongceilings.com.

Edge Detail
Square with extended flange. To create contrast visual, flange is covered with 1-1/4" Black Contrast Filler Strip Item 5494.

Fire Performance
Class A: ASTM E84 and CAN/ULC S102.
Flame Spread Index 25 or less. Smoke Developed Index 50 or less.

ASTM E1264 Classification
Fire Class – Class A
Unperforated – Type XX, Pattern G
Perforated – Type XX, Pattern C

Design Considerations
While we strive to ensure exact color matches, various factors such as differences in materials and painting processes can affect how colors appear on ceiling and wall panels, suspension systems, and trim products. Due to these and other differences, items with the same finish name will coordinate but may not be an exact color match.

Seismic Restraint
MetalWorks Linear panels have been engineered, tested, and approved for application in all seismic areas when installed per Armstrong Ceilings installation instructions.

Wind Uplift Performance
All panels tested for wind uplift Classes 30, 60, and 90. Specific installation recommendations to meet these wind classes are available. There is no acoustical fleece on exterior panels. For more information, contact TechLine at 1 877 276 7876.

Cleaning and Disinfecting
Cleaning and CDC approved disinfecting options available on armstrongceilings.com/cleaning

Warranty
Details at armstrongceilings.com/warranty

FAST134 Program Considerations
Size of Job Matters: Big jobs, over 2500 SF or 50 pieces for shapes/vertical elements will have longer lead times.
Location Matters: Transit time not included. We are ready to ship in 1 week on FAST1 items. However, transit to the states west of Wyoming may add time.
Distributor Truck Schedule Matters: We rely on distribution to help move products around the country. When speed matters, work with your local distributor to ensure FAST134 service.
Stock vs Made-to-Order Matters: FAST3 & FAST4 items are made-to-order and will ship direct to distributor. FAST1 (stocked items) will go through distribution and depend on distributor truck schedules.

Weight; Square Feet/Carton
8120 – 1.61 lbs/SF; 24 pcs/ctn or 192 LF/ctn; 32.00 SF/ctn
5491 – 51.61 lbs/SF; 16 pcs/ctn or 128 LF/ctn; 42.66 SF/ctn
7160 – 1.61 lbs/SF; 12 pcs/ctn or 96 LF/ctn; 48.00 SF/ctn
5491 – 1.61 lbs/SF; 10 pcs/ctn or 80 LF/ctn; 53.33 SF/ctn
8122 – 1.61 lbs/SF; 8 pcs/ctn or 64 LF/ctn; 53.33 SF/ctn
5570 – 1.61 lbs/SF; 6 pcs/ctn or 48 LF/ctn; 48.00 SF/ctn
8121 – 1.61 lbs/SF; 24 pcs/ctn or 192 LF/ctn; 32 SF/ctn
5492 – 1.61 lbs/SF; 16 pcs/ctn or 128 LF/ctn; 42.66 SF/ctn
7161 – 1.61 lbs/SF; 12 pcs/ctn or 96 LF/ctn; 48.00 SF/ctn
5493 – 1.61 lbs/SF; 10 pcs/ctn or 80 LF/ctn; 53.33 SF/ctn
8123 – 1.61 lbs/SF; 8 pcs/ctn or 64 LF/ctn; 53.33 SF/ctn
5571 – 1.61 lbs/SF; 6 pcs/ctn or 48 LF/ctn; 48.00 SF/ctn

