



METALWORKS™ Immix™ Linear

Panelized Torsion Spring
smooth texture



**TOTAL
ACOUSTICS™**
Sound Absorption (NRC)
+ Sound Blocking (CAC)



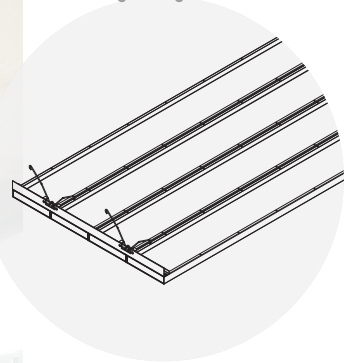
SUSTAIN™
High Performance
Sustainable
Ceiling Systems



FAST134
Select Items Ship Fast
armstrongceilings.com/fast134



CAD/Revit® drawings at:
armstrongceilings.com/cadrevit



plus capabilities
to do more



MetalWorks Immix Linear perforated 6" W x 1" H plank with 4 planks per panel in Whitelume

armstrongceilings.com/capabilities
See more photos at:
armstrongceilings.com/photogallery

An interior panelized torsion spring metal ceiling system in a variety of linear configurations, achieving an accessible, smooth monolithic or open reveal linear look installed up to twice as fast as individual plank systems.

KEY SELECTION ATTRIBUTES

- 21 standard 24" x 96" panels with multiple linear planks in varying heights and widths with planks per panel configurations
- Four new Sequels™ pre-coat, wood-look finishes are part of the FAST134 program
- Nominal 4", 6", 8", 10", and 12" wide planks with 1", 2", 4", 6" or 8" heights
- 24" x 96" torsion spring panels install up to twice as fast as individual linear plank systems
- Durable, downward accessible system – quickly open a large area with full panel removal
- Mix and match standard panels with alternating plank heights or widths for a custom look
- Smart design – reveals between planks are equidistant panel-to-panel; Panels have a consistent 1/8" reveal end-to-end
- MetalWorks™ Immix™ panels are part of the Sustain™ portfolio, and meet the most stringent industry sustainability compliance standards today
- CleanAssure™ family of products – includes disinfectable planks, suspension systems, and trim
- Select products included in the FAST134 program – ready to ship in 4 weeks or less
- Panels can be field cut; perimeter cut kit and additional end caps are available for a clean, professional finish
- Black acoustical infill panels hide the plenum and achieve up to 0.95 NRC
- Get total noise control and design flexibility with Total Acoustics™ ceiling panels: NRC + CAC = Total Acoustics
- Aluminum planks with exceptional durability – washable, scrubbable, soil-resistant



new METALWORKS™ Immix™ Linear
Panelized Torsion Spring
smooth texture



Declare.

LEED®
WELL | LBC

16% RECYCLED CONTENT

- energy management
- construction waste mgmt
- regional materials
- design for flexibility
- EPD
- recyclable/producer resp.

Calculate sustainability with Green Genie™
armstrongceilings.com/greengenie

- biobased materials
- recycled content
- sourcing of raw materials
- material ingredient reporting
- low emitting materials
- lighting quality
- acoustics

LOCATION DEPENDENT

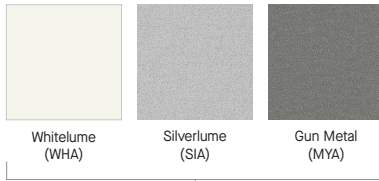
WHITE WITH ONLY INFILL PANEL



MetalWorks Immix Linear perforated 6" W x 1" H plank with 4 planks per panel in Sequels Cape May Cherry

STANDARD COLORS & FINISHES Due to printing limitations, shade may vary from actual product.

Painted (Interior only)



Whitelume (WHA) Silverlume (SIA) Gun Metal (MYA)

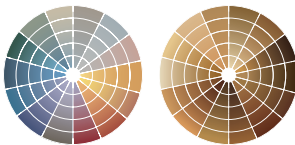
These colors are part of the Sustain™ portfolio

new Sequels™
Pre-coated Coil, Fast Lead Time



La Jolla Oak (SGLO) New Haven Walnut (SGNW) Cape May Cherry (SQCC) Montauk Driftwood (SQMD)

CUSTOM COLORS & FINISHES Due to printing limitations, shade may vary from actual product.



Custom Colors Available

Custom Wood-look Finishes Available

For custom options contact ASQuote,
ASQuote@armstrongceilings.com

STANDARD PERFORATION OPTIONS (1:2 scale shown)



M1 (Unperforated)

M15 (Rd 1612)



METALWORKS™ - Standard

METALWORKS™ Immix™ Linear

Panelized Torsion Spring
smooth texture



Declare.



Calculate sustainability with Green Genie™
armstrongceilings.com/greengenie



LOCATION DEPENDENT

WHITE WITH ONLY INFILL PANEL

VISUAL SELECTION

Item No. ♦	Description	Space Between Planks (Nominal)	% Open Area	lbs/SF	Dimensions Nominal W x L x D (Inches) Custom Sizes Available
METALWORKS™ Immix™ Linear Panels 15/16" Square					
6374A41	4" wide x 1" height plank 4 planks / panel	2-1/8"	33%	0.58 lbs	24 x 96 x 1"
6376A41	4" wide x 1" height plank 6 planks / panel	1/8"	0%	0.82 lbs	24 x 96 x 1"
6373A42	4" wide x 2" height plank 3 planks / panel	4-1/8"	50%	0.57 lbs	24 x 96 x 2"
6374A42	4" wide x 2" height plank 4 planks / panel	2-1/8"	33%	0.73 lbs	24 x 96 x 2"
6372A44	4" wide x 4" height plank 2 planks / panel	8-1/8"	67%	0.56 lbs	24 x 96 x 4"
6373A44	4" wide x 4" height plank 3 planks / panel	4-1/8"	50%	0.80 lbs	24 x 96 x 4"
6374A44	4" wide x 4" height plank 4 planks / panel	2-1/8"	33%	1.03 lbs	24 x 96 x 4"
6373A61	6" wide x 1" height plank 3 planks / panel	2-1/8"	25%	0.58 lbs	24 x 96 x 1"
6374A61	6" wide x 1" height plank 4 planks / panel	1/8"	0%	0.73 lbs	24 x 96 x 1"
6373A62	6" wide x 2" height plank 3 planks / panel	2-1/8"	25%	0.69 lbs	24 x 96 x 2"
6372A64	6" wide x 4" height plank 2 planks / panel	6-1/8"	50%	0.64 lbs	24 x 96 x 4"
Other Size Panels	W: 4" - 12" H: 1" - 8"	1/8" - 8-1/8"	Varies	Varies	W: 24** L: 24" - 96"

PERFORMANCE

Dots represent high level of performance.

Sound Absorption** (M1 White only)	Light Reflect	Fire Performance	CleanAssure™ Disinfectable Planks		
NRC			Fog	Spray	Wipe
0.70	0.75	Class A	*	*	*
0.75	0.75	Class A	*	*	*
0.65	0.75	Class A	*	*	*
0.70	0.75	Class A	*	*	*
0.60	0.75	Class A	*	*	*
0.65	0.75	Class A	*	*	*
0.70	0.75	Class A	*	*	*
0.70	0.75	Class A	*	*	*
0.75	0.75	Class A	*	*	*
0.70	0.75	Class A	*	*	*
0.65	0.75	Class A	*	*	*
Varies	0.75	Class A	*	*	*

ACOUSTICAL INFORMATION

Dots represent high level of performance.

Infill Panel Item No.	NRC	CAC	Total Acoustics ¹
Over 30% Open Area*	8373PBBK 0.95	-	-
	2821BK 0.85	35	BEST
	1319 0.75	30	-

NRC with acoustical fleece See Visual Selection chart

* Infill options for fleece-only panels with less than 30% open area can be installed for additional sound absorption.
¹ Total Acoustics™ ceiling panels have an ideal combination of sound absorption and sound blocking in one product.
GOOD (NRC 0.60-0.65; CAC 35+)
BETTER (NRC 0.70-0.75; CAC 35+)
BEST (NRC 0.80+; CAC 35+)



FAST134 program items ready to ship from manufacturer in 4 weeks or less.
Up-to-date lead times and product options (sizes and colors) at armstrongceilings.com/fast134

♦ When specifying or ordering, include the appropriate 6-digit perforation suffix and color suffix (e.g., 6373A44 M 15 W H Δ).
 * Panel widths other than 24" will require custom panel and suspension layout. For specific options, contact your Armstrong representative to get started with our ProjectWorks® Design Services team.
 ** The NRC shown is achieved with M15 perforation.



METALWORKS™ - Standard

new METALWORKS™ Immix™ Linear

Panelized Torsion Spring
smooth texture



LEED WELL LBC

16% RECYCLED CONTENT

- energy management
- construction waste mgmt
- regional materials
- design for flexibility
- EPD
- recyclable/producer resp.
- biobased materials
- recycled content
- sourcing of raw materials
- material ingredient reporting
- low emitting materials
- lighting quality
- acoustics

Calculate sustainability with Green Genie™
armstrongceilings.com/greengenie

LOCATION DEPENDENT

WHITE WITH ONLY INFILL PANEL

VISUAL SELECTION

Item No. ♦	Description	Space Between Planks (Nominal)	% Open Area	lbs/SF	Dimensions Nominal W x L x D (Inches) Custom Sizes Available
METALWORKS™ Immix™ Linear Panels 15/16" Square					
6373A64_	6" wide x 4" height plank 3 planks / panel	2-1/8"	25%	0.91 lbs	24 x 96 x 4"
6372A66_	6" wide x 6" height plank 2 planks / panel	6-1/8"	50%	0.79 lbs	24 x 96 x 6"
6372A81_	8" wide x 1" height plank 2 planks / panel	4-1/8"	33%	0.49 lbs	24 x 96 x 1"
6373A81_	8" wide x 1" height plank 3 planks / panel	1/8"	0%	0.69 lbs	24 x 96 x 1"
6372A82_	8" wide x 2" height plank 2 planks / panel	4-1/8"	33%	0.56 lbs	24 x 96 x 2"
6372A84_	8" wide x 4" height plank 2 planks / panel	4-1/8"	33%	0.72 lbs	24 x 96 x 4"
6372A86_	8" wide x 6" height plank 2 planks / panel	4-1/8"	33%	0.87 lbs	24 x 96 x 6"
6372A88_	8" wide x 8" height plank 2 planks / panel	4-1/8"	33%	1.02 lbs	24 x 96 x 8"
6372AA1_	10" wide x 1" height plank 2 planks / panel	2-1/8"	17%	0.56 lbs	24 x 96 x 1"
6372AC1_	12" wide x 1" height plank 2 planks / panel	1/8"	0%	0.64 lbs	24 x 96 x 1"
Other Size Panels	W: 4" - 12" H: 1" - 8"	1/8" - 8-1/8"	Varies	Varies	W: 24** L: 24" - 96"

PERFORMANCE

Dots represent high level of performance.

Sound Absorption** (M1 White only)	Light Reflect	Fire Performance	CleanAssure™ Disinfectable Planks		
			Fog	Spray	Wipe
0.70	0.75	Class A	*	*	*
0.65	0.75	Class A	*	*	*
0.70	0.75	Class A	*	*	*
0.75	0.75	Class A	*	*	*
0.70	0.75	Class A	*	*	*
0.70	0.75	Class A	*	*	*
0.70	0.75	Class A	*	*	*
0.70	0.75	Class A	*	*	*
0.70	0.75	Class A	*	*	*
0.75	0.75	Class A	*	*	*
Varies	0.75	Class A	*	*	*

ACOUSTICAL INFORMATION

Dots represent high level of performance.

Infill Panel Item No.	NRC	CAC	Total Acoustics¹
Over 30% Open Area*			
8373PBBK	0.95	-	-
2821BK	0.85	35	BEST
1319	0.75	30	-
NRC with acoustical fleece	See Visual Selection chart		

* Infill options for fleece-only panels with less than 30% open area can be installed for additional sound absorption.
 1 Total Acoustics™ ceiling panels have an ideal combination of sound absorption and sound blocking in one product.
GOOD (NRC 0.60-0.65; CAC 35+)
BETTER (NRC 0.70-0.75; CAC 35+)
BEST (NRC 0.80+; CAC 35+)



FAST134 program items ready to ship from manufacturer in 4 weeks or less.
Up-to-date lead times and product options (sizes and colors) at armstrongceilings.com/fast134

♦ When specifying or ordering, include the appropriate 6-digit perforation suffix and color suffix (e.g., 6373A44 M 15 W H A).
 * Panel widths other than 24" will require custom panel and suspension layout. For specific options, contact your Armstrong representative to get started with our ProjectWorks® Design Services team.
 ** The NRC shown is achieved with M15 perforation.



METALWORKS™ - Standard



METALWORKS™ Immix™ Linear

Panelized Torsion Spring
smooth texture

STANDARD PANEL CONFIGURATIONS

		24" x 96" PANELS				
		4" Nominal Wide Planks	6" Nominal Wide Planks	8" Nominal Wide Planks	10" Nominal Wide Planks	12" Nominal Wide Planks
1" HEIGHT PLANK		33% Open Area 4 Planks per Panel Item 6374A41_-----	25% Open Area 3 Planks per Panel Item 6373A61_-----	33% Open Area 2 Planks per Panel Item 6372A81_-----	17% Open Area 2 Planks per Panel Item 6372AA1_-----	
		0% Open Area 6 Planks per Panel Item 6376A41_-----*	0% Open Area 4 Planks per Panel Item 6374A61_-----*	0% Open Area 3 Planks per Panel Item 6373A81_-----*		0% Open Area 2 Planks per Panel Item 6372AC1_-----*
2" HEIGHT PLANK		50% Open Area 3 Planks per Panel Item 6373A42_-----	25% Open Area 3 Planks per Panel Item 6373A62_-----	33% Open Area 2 Planks per Panel Item 6372A82_-----		
		33% Open Area 4 Planks per Panel Item 6374A42_-----				

◆ When specifying or ordering, include the appropriate 6-digit perforation suffix and color suffix (e.g., 6342D61 M 1 5 W H A).
 * These 1/8" reveal configurations should only be installed with like panels and not with planks of other sizes.

NRC + CAC



DEF


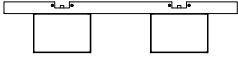
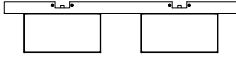
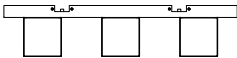
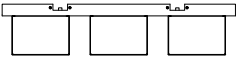
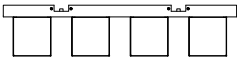
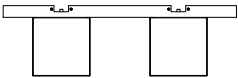
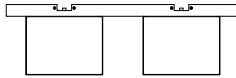



METALWORKS™ – Standard

new METALWORKS™ Immix™ Linear

Panelized Torsion Spring
smooth texture

STANDARD PANEL CONFIGURATIONS

		24" x 96" PANELS				
		4" Nominal Wide Planks	6" Nominal Wide Planks	8" Nominal Wide Planks	10" Nominal Wide Planks	12" Nominal Wide Planks
4" HEIGHT PLANK						
		67% Open Area 2 Planks per Panel Item 6372A44_-----	50% Open Area 2 Planks per Panel Item 6372A64_-----	33% Open Area 2 Planks per Panel Item 6372A84_-----		
						
		50% Open Area 3 Planks per Panel Item 6373A44_-----	25% Open Area 3 Planks per Panel Item 6373A64_-----			
						
		33% Open Area 4 Planks per Panel Item 6374A44_-----				
6" HEIGHT PLANK						
			50% Open Area 2 Planks per Panel Item 6372A66_-----	33% Open Area 2 Planks per Panel Item 6372A86_-----		
8" HEIGHT PLANK						
				33% Open Area 2 Planks per Panel Item 6372A88_-----		

◆ When specifying or ordering, include the appropriate 6-digit perforation suffix and color suffix (e.g., 6342D61 M 1 5 W H Δ).
* These 1/8" reveal configurations should only be installed with like panels and not with planks of other sizes.



METALWORKS™ - Standard

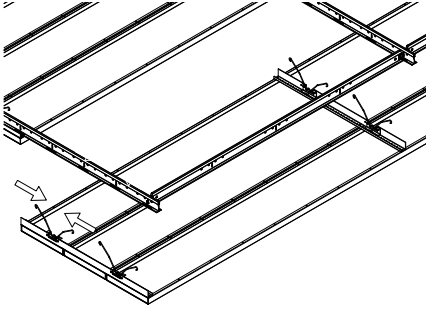


METALWORKS™ Immix™ Linear

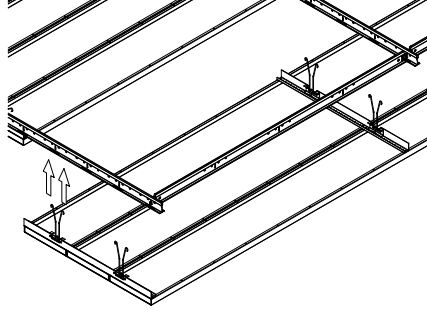
Panelized Torsion Spring
smooth texture

HOW TO INSTALL PANELS

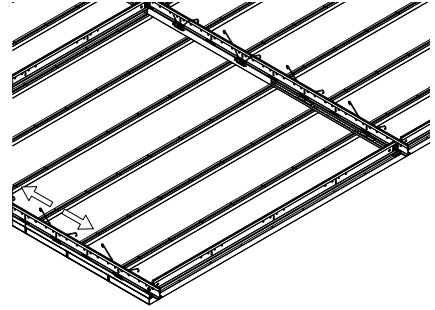
Step 1



Step 2

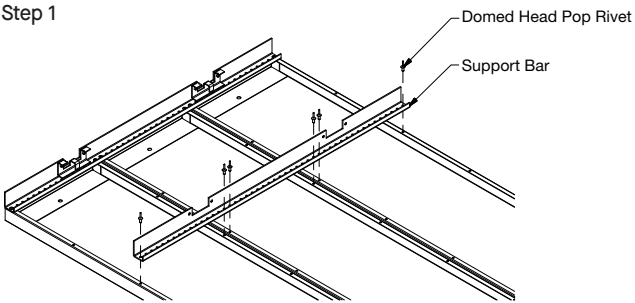


Step 3

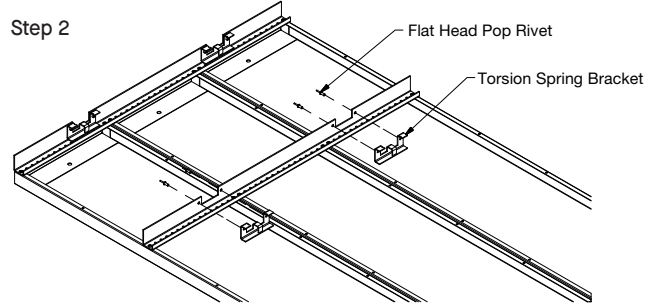


PERIMETER CUT KIT INSTALLATION

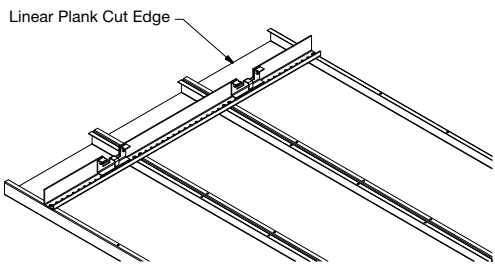
Step 1



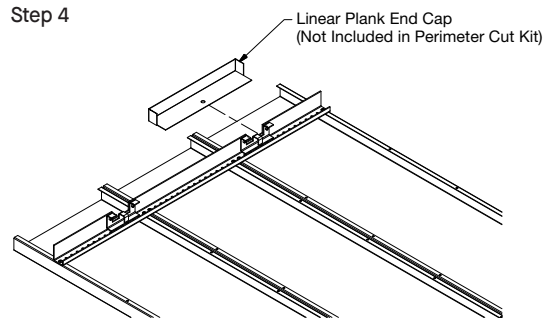
Step 2



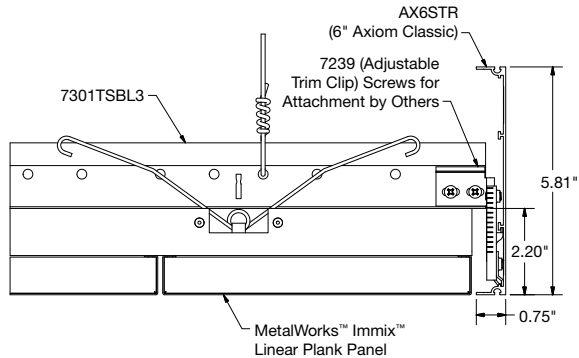
Step 3



Step 4



AXIOM® FLOATING PERIMETER DETAIL



new METALWORKS™ Immix™ Linear

Panelized Torsion Spring
smooth texture



LEED® WELL | LBC

16% RECYCLED CONTENT



Calculate sustainability with Green Genie™ armstrongceilings.com/greengenie



LOCATION DEPENDENT

WHITE WITH ONLY INFILL PANEL

SUSPENSION SYSTEM & ACCESSORIES

	Item No. ◆	Description	Dimensions (Inches) Nominal W x L x H	Color	Pieces/Carton
Suspension Systems	7301TS	Prelude® XL® 12' HD Main Beam – Slotted	15/16 × 144 × 1-11/16"	White	20
	XL7341	Prelude XL 4' Cross Tee	15/16 × 48 × 1-11/16"	White	60
	7301TSBL3	Black 360 Prelude XL 12' HD Main Beam – Slotted	15/16 × 144 × 1-11/16"	Black	20
	XL7341BL3	Black 360 Prelude XL 4' Cross Tee	15/16 × 48 × 1-11/16"	Black	60
Wall-to- Wall Installations	7800 __	12' Angle Molding	144 × 7/8 × 7/8"	White, Black Black is recommended for Sequels™ panel finishes	30
	HD7801__	10' Angle Molding	120 × 7/8 × 7/8"	Silver Grey, Gun Metal Grey	30
	BERC2	2" Beam End Retaining Clip	N/A	N/A	200
Floating Cloud Installations	AX6STR__◆	Axiom® Classic 6" Straight Trim	120 × 3/4 × 5-13/16"	White, Black, Silver Grey, Gun Metal Grey Black is recommended for Sequels panel finishes	N/A
	7239	Adjustable Trim Clip (ATC)	N/A	N/A	50
Other Accessories	5604	Perimeter Cut Kit	N/A	N/A	10 support bars/20 brackets/40 countersunk rivets, 120 domed head rivets
	7129	Torsion Spring Hook Access Tool	N/A	N/A	1

◆ Add the 2-digit color suffix to the item number when specifying or ordering (e.g. AX6STR S G), add an extra digit "3" before the color suffix if paint is required inside and outside of trim (e.g. AX6STR 3 S G).

ACCESSORIES

Item No. ◆	Description	Pieces/ Carton	Item No.	Description	Pieces/ Carton
5459A41M1_ ___	4" wide x 1" height end cap	10	5459A81M1_ ___	8" wide x 1" height end cap	10
5459A42M1_ ___	4" wide x 2" height end cap	10	5459A82M1_ ___	8" wide x 2" height end cap	10
5459A44M1_ ___	4" wide x 4" height end cap	10	5459A84M1_ ___	8" wide x 4" height end cap	10
5459A61M1_ ___	6" wide x 1" height end cap	10	5459A86M1_ ___	8" wide x 6" height end cap	10
5459A62M1_ ___	6" wide x 2" height end cap	10	5459A88M1_ ___	8" wide x 8" height end cap	10
5459A64M1_ ___	6" wide x 4" height end cap	10	5459AA1M1_ ___	10" wide x 1" height end cap	10
5459A66M1_ ___	6" wide x 6" height end cap	10	5459AC1M1_ ___	12" wide x 1" height end cap	10

◆ When specifying or ordering, include the appropriate 3- or 4-letter color suffix (e.g., 5459A61M1 M Y A).

PHYSICAL DATA

Material
Aluminum – thickness 0.032"

Surface Finish
Painted: Factory-applied polyester paint.
Sequels™: Pre-coated coil. Custom colors and finishes available. Contact ASQuote@armstrongceilings.com for custom finish requests.

Fire Performance
Painted and Sequels finishes: Class A: Tested per ASTM E84. Flame Spread Index 25 or less. Smoke Developed Index 50 or less. CAN/ULC S102 surface burning characteristics. Flame Spread Rating 25 or less. Smoke Developed Classification 50 or less.

Acoustical Options
Perforated panels are supplied with a black fiberglass fleece to absorb sound.

Design Support
For custom design assistance contact ProjectWorks® Design Services or visit armstrongceilings.com/projectworks

Design Considerations
When installed, panels hang either 2-3/16", 3-3/16", 5-3/16", 7-3/16" or 9-3/16" below the face of the grid, depending on the height of the plank. MetalWorks™ Immix™ Linear panels can be cut in the field, see installation instructions for details.
Variation in reveal between panel ends up to 1/16" may occur.
Black 360° grid minimizes grid visibility. Axiom trim colors coordinate but are not an exact match.
For optimum visual design, backlighting panels is not recommended. For lighting integration see installation instructions.

Installation Considerations
Although panels are installed from below and never travel into the plenum, MetalWorks Immix Linear panels will require a minimum 5" clearance above the suspension system. This allows enough room for the springs to travel into the plenum space during installation or removal.

Seismic Restraint
MetalWorks Immix panels are approved for application in all seismic areas when installed per the seismic guidelines in the Armstrong Ceilings installation instructions.

Cleaning and Disinfecting
Cleaning and CDC-approved disinfecting options available on armstrongceilings.com/cleaning

Warranty
Details at armstrongceilings.com/warranty

FAST134 Program Considerations
Size of Job Matters: Big jobs, over 2500 SF or 50 pieces for shapes/vertical elements will have longer lead times.
Location Matters: Transit time not included. We are ready to ship in 1 week on FAST1 items. However, transit to the states west of Wyoming may add time.
Distributor Truck Schedule Matters: We rely on distribution to help move products around the country. When speed matters, work with your local distributor to ensure FAST134 service.
Stock vs. Made-to-Order Matters: FAST3 & FAST4 items are made-to-order and will ship direct to distributor. FAST1 (stocked items) will go through distribution and depend on distributor truck schedules.

Weight
Refer to Visual Selection chart



METALWORKS™ – Standard