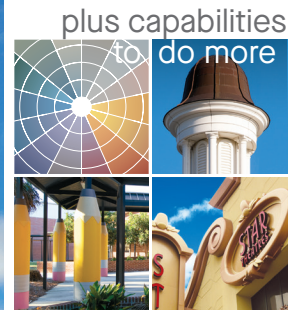


CASTWORKS™

Glass Fiber Reinforced Polyester Resin (FRP)
architectural forms



CastWorks™ FRP custom gargoyles ornamental details



armstrongceilings.com/capabilities
See more photos at:
armstrongceilings.com/photogallery

CastWorks™ Glass Fiber Reinforced Polyester Resin (FRP) is the lightweight, economical, and impact resistant choice for applications requiring weather resistance and durability.

KEY SELECTION ATTRIBUTES

- Cast into any shape or compound curve
- Weighs only 2-3 lbs. per square foot
- Exterior or interior use
- Easy to install
- Low maintenance; retains shape & beauty
- Versatile finishes, colors, and textures
- Requires joint caulking and field finishing

COLORS FRP castings can be supplied opaque, translucent, paint grade for field painting, or pre-finished to achieve any desired color. They can also be textured and pigmented to simulate stone, wood, or steel.



Custom Colors
Available

TYPICAL APPLICATIONS

- Column Covers
- Cornices
- Domes
- Panels
- Planters
- Cupolas
- Fountains
- Signage
- Rainscreens
- Decorative Elements

CASTWORKS™

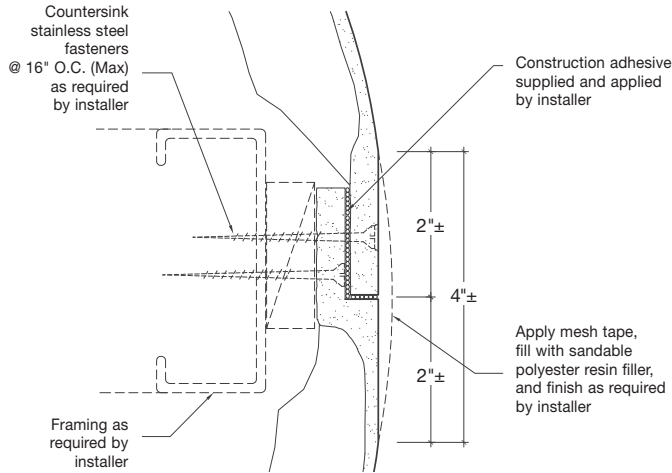
Glass Fiber Reinforced Polyester Resin (FRP) architectural forms

LEED® WELL | LBC

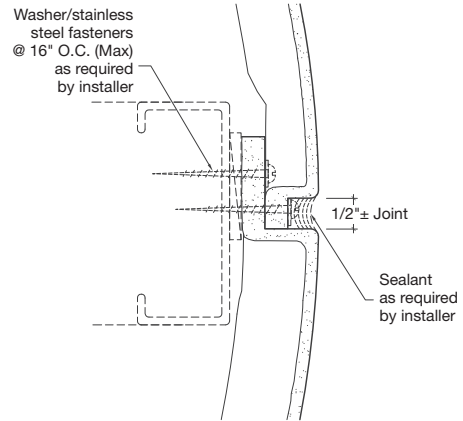
- energy management
- construction waste mgmt
- regional materials
- design for flexibility
- EPD
- recyclable/producer resp.
- biobased materials
- recycled content
- sourcing of raw materials
- material ingredient reporting
- low emitting materials
- lighting quality
- acoustics

LOCATION DEPENDENT

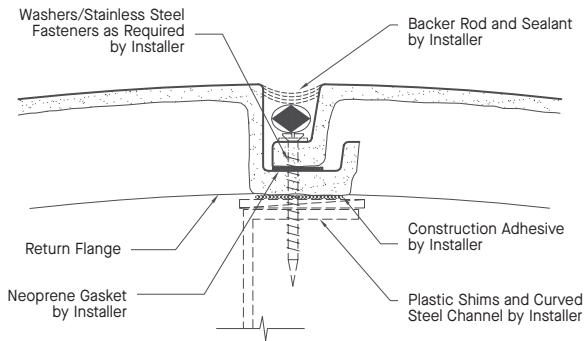
DETAIL DRAWINGS



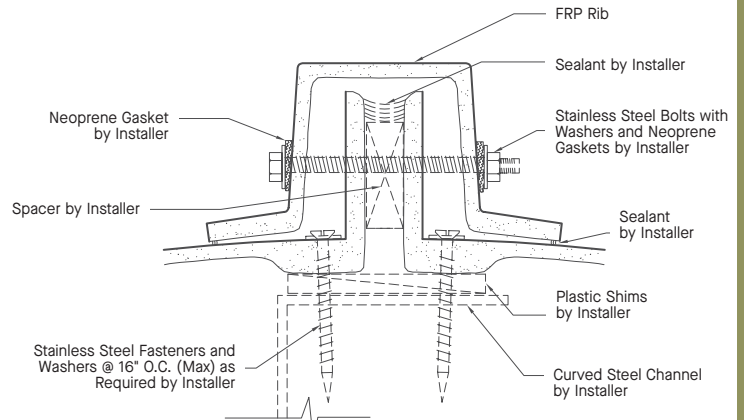
FRP Column Joint - Monolithic



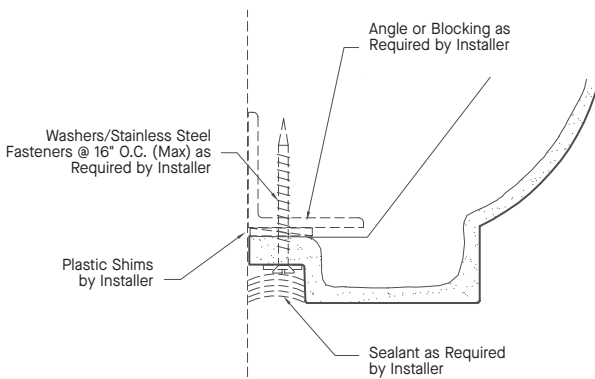
FRP Column Joint - Sealant



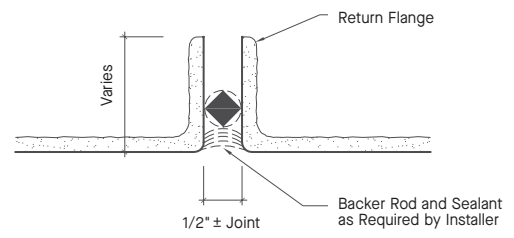
FRP Dome Joint - Option #1



FRP Dome Joint - Option #2



FRP Cornice - Bottom Connection



FRP Panel-to-Panel Joint

PHYSICAL DATA

Material
Glass Fiber Reinforced Polyester Resin (FRP) is a composite consisting of gel coat, polyester resin, and glass fibers.

Surface Finish
FRP can be supplied paint grade or pre-finished, and can be textured and painted to simulate stone, wood, or steel.

Fire Performance
Flame spread index of 25 or less per ASTM E84.

Installation Considerations
Install CastWorks FRP parts as indicated on approved shop drawings, other recommendations, and the contract requirements.

Use caution and wear appropriate hand, eye, and dust mask protection when handling CastWorks FRP. Refer to installation instructions for complete details.

Application Considerations
CastWorks FRP is strong and lightweight making it an ideal product for domes, cupolas, and steeples. FRP can be made in large components offering part consolidation and minimizing joints.

Design Support
For custom design assistance contact ProjectWorks® Design Services or visit armstrongceilings.com/projectworks

Warranty
One (1) Year Limited Warranty. Details at armstrongceilings.com/warranty

Weight
2-3 lbs/SF (may vary depending on part design)