

# CASTWORKS™

Column Covers  
architectural forms



CastWorks GRG custom Column Covers

CastWorks™ GRG (glass fiber reinforced gypsum) Column Covers create a uniform appearance and cover unsightly supports.

## KEY SELECTION ATTRIBUTES

- Available in cylindrical, recessed cylindrical, or tuscan prefabricated styles
- Can be customized for other shapes, sizes, or materials (Interior Molded Stone, GFRC, or FRP)
- Replicates the look of natural materials
- Easy to install and low maintenance
- Economical, lightweight, and durable replacement for traditional plaster
- Interior use, but GFRC and FRP column covers can be used for exteriors
- Can be field painted to achieve any desired color

## COLORS



Paint Grade  
(Unfinished for  
field painting)

## DETAILS



Cylindrical  
Column  
Cover



Recessed  
Cylindrical  
Column  
Cover





Tuscan  
Column  
Cover

# CASTWORKS™

Column Covers  
architectural forms

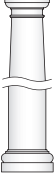
## VISUAL SELECTION

Product Name	Item Number	Min Length (Inches)	Max Length Per Piece (Inches)	Diameter (Inches)	Bottom Diameter (Inches)	Top Diameter (Inches)	Base (Inches)	Cap Width (Inches)	Recessed
Cylindrical Column Cover 	PF-1012	6"	144"	12"	N/A	N/A	N/A	N/A	N/A
	PF-1016	6"	144"	16"	N/A	N/A	N/A	N/A	N/A
	PF-1018	6"	144"	18"	N/A	N/A	N/A	N/A	N/A
	PF-1024	6"	144"	24"	N/A	N/A	N/A	N/A	N/A
	PF-1030	6"	144"	30"	N/A	N/A	N/A	N/A	N/A
Recessed Cylindrical Column Cover 	PF-1012R	6"	144"	12"	N/A	N/A	N/A	N/A	Bottom and/or top
	PF-1016R	6"	144"	16"	N/A	N/A	N/A	N/A	Bottom and/or top
	PF-1018R	6"	144"	18"	N/A	N/A	N/A	N/A	Bottom and/or top
	PF-1024R	6"	144"	24"	N/A	N/A	N/A	N/A	Bottom and/or top
	PF-1030R	6"	144"	30"	N/A	N/A	N/A	N/A	Bottom and/or top

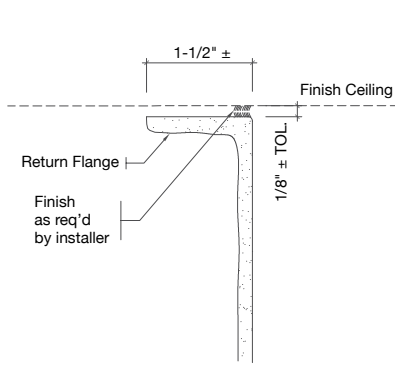


# CASTWORKS™

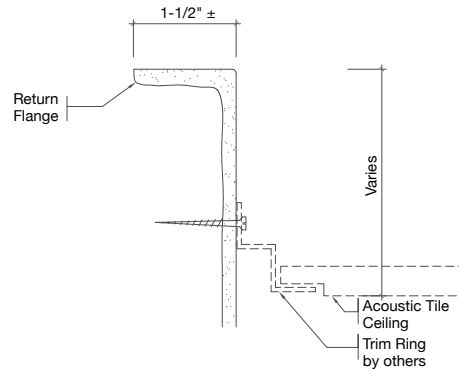
Column Covers  
architectural forms

Product Name	Item Number	Min Length (Inches)	Max Length Per Piece (Inches)	Diameter (Inches)	Bottom Diameter (Inches)	Top Diameter (Inches)	Base (Inches)	Cap Width (Inches)	Recessed
Tuscan Column Cover 	PF-2043	84"	108"	N/A	10"	8-1/2"	13-3/8"	12-1/2"	N/A
	PF-2041	84"	144"	N/A	12"	10"	16-3/4"	15-1/2"	N/A
	PF-2019E	96"	144"	N/A	14"	12"	18-3/8"	17-1/4"	N/A
	PF-2013A	84"	156"	N/A	16"	13-5/8"	21-1/2"	20-1/8"	N/A
	PF-2008	96"	180"	N/A	18"	15"	25"	22-1/2"	N/A
	PF-2050	96"	180"	N/A	20"	17"	27"	25"	N/A
	PF-2015	108"	180"	N/A	24"	20"	32-1/2"	30"	N/A

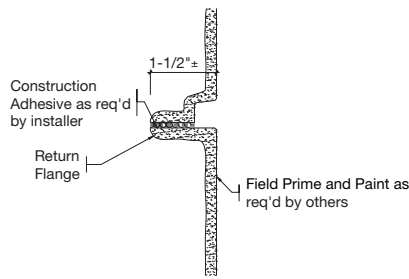
DETAIL DRAWINGS (continued)



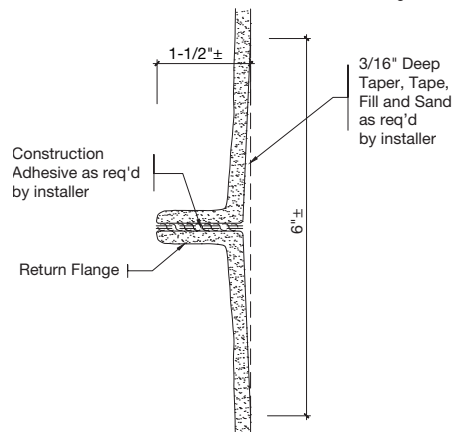
GRG Column Section at Drywall Ceiling



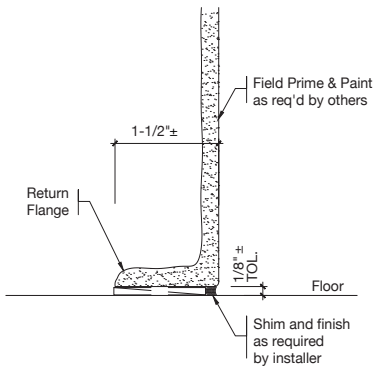
GRG Column Section at Acoustic Tile Ceiling



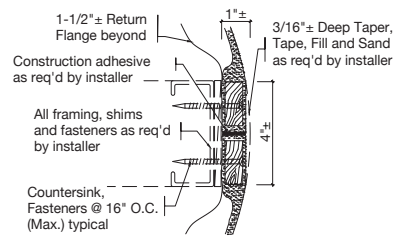
GRG Column Reveal at Stacking Joint



GRG Column Stacking Joint



GRG Column Section at Floor



GRG Column Tape Joint Detail

PHYSICAL DATA

**Material**

Glass Fiber Reinforced Gypsum is a composite consisting of gypsum cement and water, reinforced with glass fibers. Complies with ASTM C-1355/C-1355M and ASTM C-1381.

**Surface Finish**

Standard unfinished, paint grade. Can be field painted to achieve any desired color.

**Fire Performance**

Class A Fire Performance per ASTM E84.

**Installation Considerations**

Install CastWorks™ parts as indicated on approved shop drawings, other recommendations, and the contract requirements. Comply with ASTM Standard C1467 for installation. Use caution and wear appropriate hand, eye, and dust mask protection when handling CastWorks materials. Refer to installation instructions for complete details.

**Design Support**

For custom design assistance contact ProjectWorks® Design Services or visit [armstrongceilings.com/projectworks](http://armstrongceilings.com/projectworks)

**Warranty**

One (1) Year Limited Warranty. Details at [armstrongceilings.com](http://armstrongceilings.com)

**Weight**

For 3/16" thickness: 2-3 LBS/SF (may vary depending on part design)