



Experience, Above All™

AcustiBuilt®

Seamless Acoustical
Ceiling & Wall System
Design Guide

Armstrong®
World Industries

Smooth and Clean

Monolithic Visual

The AcoustiBuilt® seamless acoustical ceiling and wall system provides the clean monolithic visual of drywall with Total Acoustics® and Sustain® performance. AcoustiBuilt combines excellent acoustical performance and sustainability attributes with efficient installation for a wide variety of spaces.

- Excellent acoustical performance of up to NRC 0.80 and CAC 46
- Use AcoustiBuilt on ceilings for wall-to-wall, cloud, sloped, or soffit applications, and in wall applications above 7 feet
- Smooth non-directional, monolithic, drywall-like visual (Level 4 equivalent finish)
- Custom colors available to meet your design palette
- Quick, easy panel installation using FrameAll™ Drywall Grid
- Faster and easier to install and repair than acoustical plaster at a lower cost

AcoustiBuilt Ceiling System
Parker Poe Corporate Office
Charlotte, NC

Seamless and Monolithic







AcoustiBuilt Ceiling System; REGENXBIO Regional Office; Rockville, MD



Seamless Aesthetics

The AcustiBuilt® seamless acoustical ceiling and wall system combines the monolithic look of traditional drywall with Total Acoustics® performance – the ideal combination of sound absorption and sound blocking. Sound absorption reduces noise while sound blocking keeps it from traveling into adjacent spaces. Together, these attributes help you create quiet spaces.

[View AcustiBuilt Project Gallery](#)

AcoustiBuilt® Seamless Acoustical Ceiling & Wall System

Total Acoustics® Performance

Whether you're creating a space for quiet concentration, collaboration, or confidentiality, one ceiling system meets the needs for today's flexible spaces.



The AcoustiBuilt® seamless acoustical ceiling and wall system provides high sound absorption (NRC up to 0.80) and high sound blocking up to CAC 46 to achieve Total Acoustics® performance.

AcoustiBuilt cloud installations can enhance the design and acoustical performance of a space and will absorb sound from both the front and back surfaces.

In wall applications, AcoustiBuilt panels improve the STC of interior stud/drywall partition systems by up to 6 points for added sound blocking.

STC Rating**
1 Side: 42
2 Sides: 43

**3-5/8" metal studs with one layer of 5/8" drywall on both sides and AcoustiBuilt panels on one or both sides of the wall.

AcoustiBuilt® vs. Drywall Acoustical Comparison

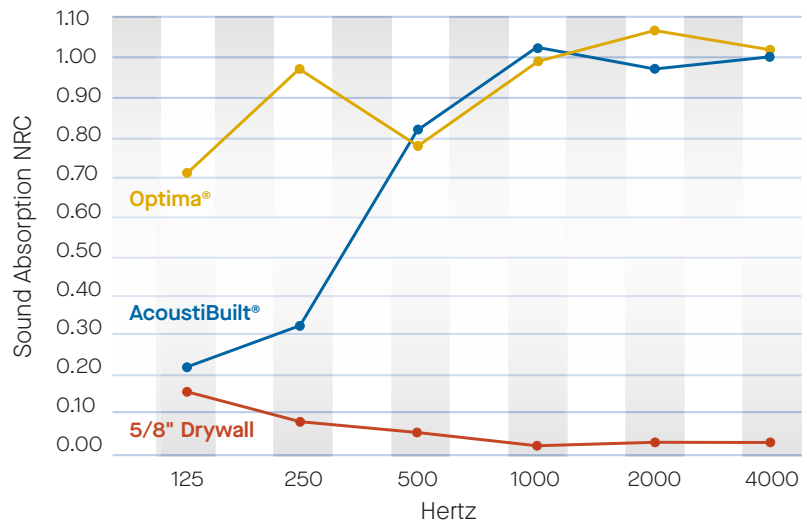


5,000 SF Exposed Structure (50' x 100'), 15' to deck, drywall with windows on two sides, commercial carpet

	5/8" Drywall Ceiling	AcoustiBuilt Seamless Acoustical Ceiling System	AcoustiBuilt Clouds 50% coverage – (equivalent to 2,500 SF of clouds)	
Sound Absorption	0.05	0.80 NRC	0.80 Sabins/SF	1.33* Sabins/SF
CAC	50	46	N/A	N/A
Total Acoustics®	N/A	BEST	N/A	N/A
Reverberation Time	1.7 sec	0.5 sec	1.1 sec	0.7 sec
RT Improvement	-	71%	35%	59%
SPL Reduction	-	-3.7 dB	-2.7 dB	-3.7 dB

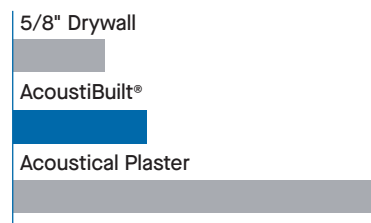
* 1.33 Sabins/SF achieved using infill panel Item 8200T10

Sound Absorption Comparison



0.90 NRC ■ Optima® 2' x 2' acoustical ceiling
0.80 NRC ■ AcoustiBuilt® system
0.05 NRC ■ 1 layer 5/8" Drywall on drywall grid

Installed Cost Comparison



AcoustiBuilt® Seamless Acoustical Ceiling & Wall System

Total Acoustics® Performance

AcoustiBuilt® panels are part of the Sustain® portfolio which contributes to healthy spaces. Here's how:

- Are free of Red List chemicals per Living Building Challenge® 4.0
- Have Health Product Declarations (HPDs) which tell you what's in the product
- Have Environmental Product Declarations (EPDs) which tell you the impact of the products
- Have Declare® labels – easy reference “nutrition labels”
- Are UL® Greenguard Gold® certified and meet California Department of Public Health (CDPH) low emissions standards
- Contribute to - LEED® v4 and v4.1
 - Living Building Challenge®
 - WELL Building Standard®
 - Fitwel® Building Standard
- Are listed in mindful MATERIALS and the Embodied Carbon in Construction Calculator (EC3) tool



AcoustiBuilt Ceiling System: GWWO Architects Office, Baltimore, MD



AcoustiBuilt® Seamless Acoustical Ceiling & Wall System

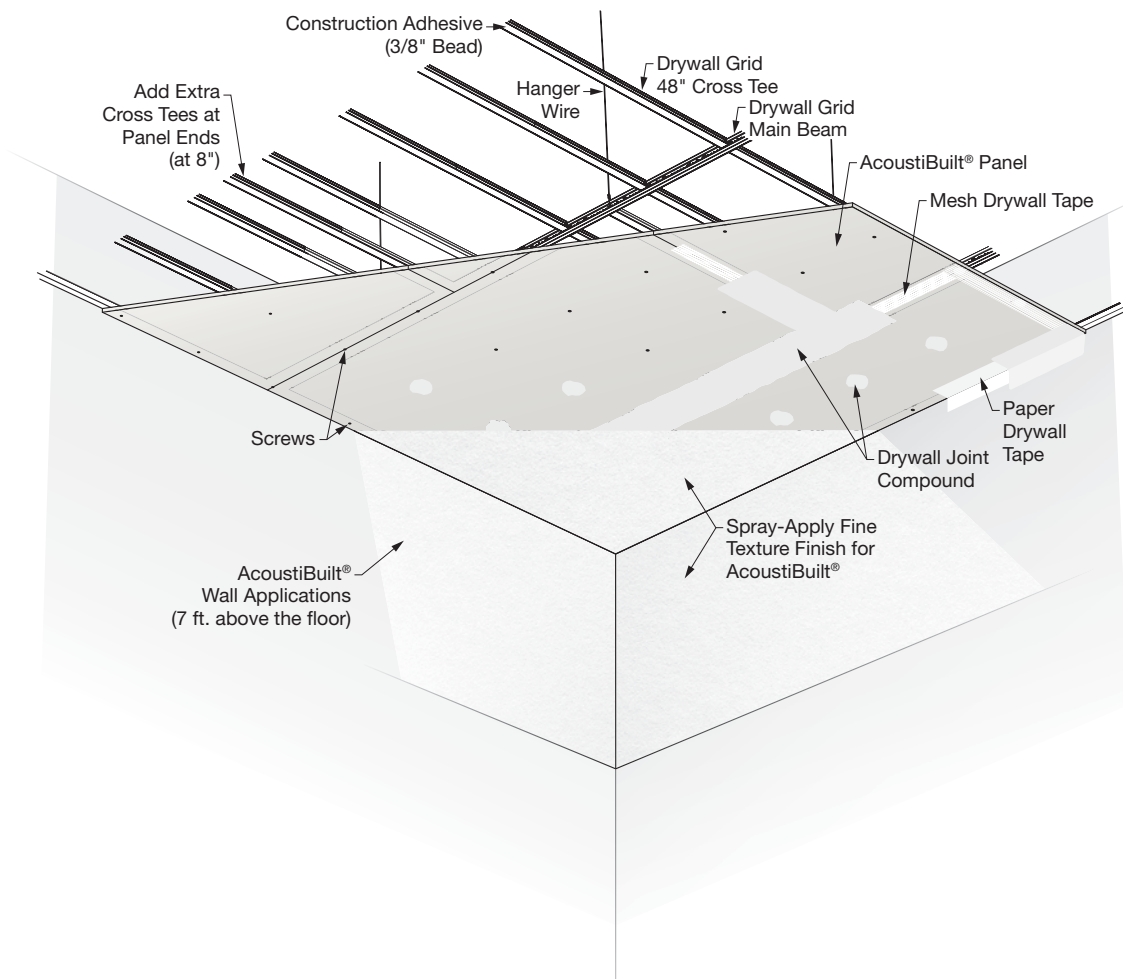
System Overview

The AcoustiBuilt® seamless acoustical ceiling system looks and installs like drywall but has been engineered to absorb and block sound. AcoustiBuilt uses an acoustically transparent fine-texture finish applied in layers to allow sound to pass through and be absorbed by the mineral fiber panels.

The AcoustiBuilt panels are attached to the FrameAll™ Drywall Grid with adhesive and screws, then the ceiling is finished just like drywall. Glue and screw panels to existing drywall on walls above 7 feet.

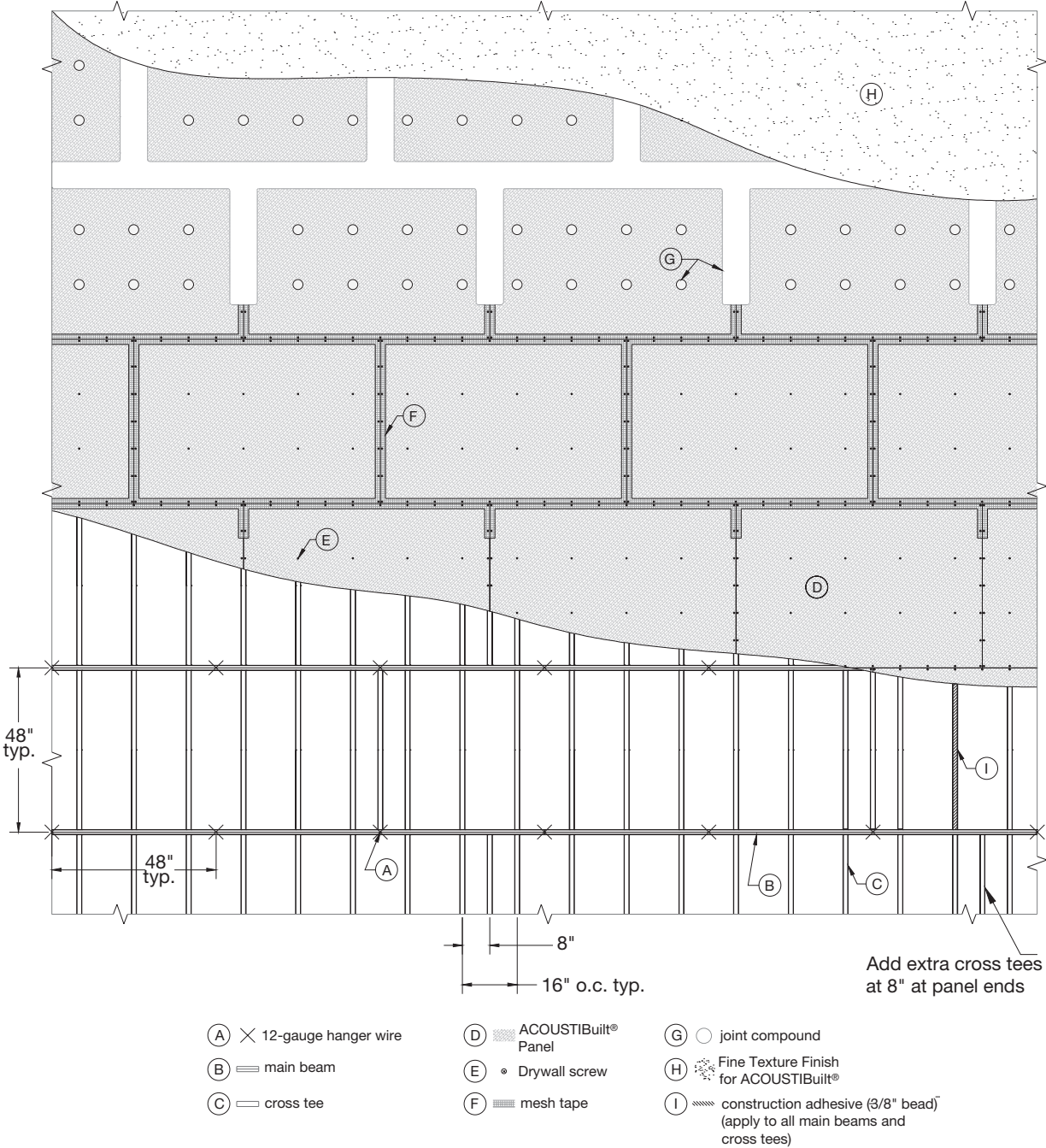


AcoustiBuilt Ceiling System – Cloud Installation; In8Bio, Birmingham, AL



AcoustiBuilt® Seamless Acoustical Ceiling & Wall System

The typical system layout below shows a standard wall-to-wall ceiling application of AcoustiBuilt®.



AcoustiBuilt® Seamless Acoustical Ceiling & Wall System

Total Acoustics® Performance

Applications – The AcoustiBuilt® ceiling and wall system can be used in almost any application where standard drywall is used, including wall applications (above 7 feet), flat, sloped, soffit, or cloud ceiling applications. AcoustiBuilt is seismic D, E, F tested and approved. AcoustiBuilt cannot be installed in curved ceiling applications. Use AcoustiBuilt for open-air plenum applications.

Color – The AcoustiBuilt fine-texture finish is available standard in both White (LR of 0.87) and Black (LR of 0.08). Custom colors are available to meet your design palette. Custom colors will appear one or two shades darker than a standard paint color sample when applied due to the fine texture finish.

Lighting – AcoustiBuilt panels are intended for spaces desiring a Level 4 equivalent drywall finish. Like Level 4 drywall, critical or low-angle light grazing across the ceiling can show imperfections. Special attention to finishing and sanding may be required. Downlights can complement the appearance in severe grazing light.

Installation is similar to standard wallboard and drywall suspension systems. However, it requires more precision and a higher level of finish to achieve an acceptable appearance. Lighting conditions can magnify surface imperfections, especially natural light that shines from oblique angles. It is strongly recommended that a job site mockup be constructed with representative lighting so that expectations regarding the finished appearance are managed.

Acoustical Performance – Excessive ceiling integrations and/or small enclosed spaces, where the ceiling is more joint compound than open area, will result in degradation of sound absorption. Light tone colors may require an additional coat of fine-texture finish, resulting in a slight degradation of sound absorption.

AcoustiBuilt® Ceiling System in Black Fine-Texture Finish





AcoustiBuilt® Ceiling System; BancFirst Oklahoma City, OK

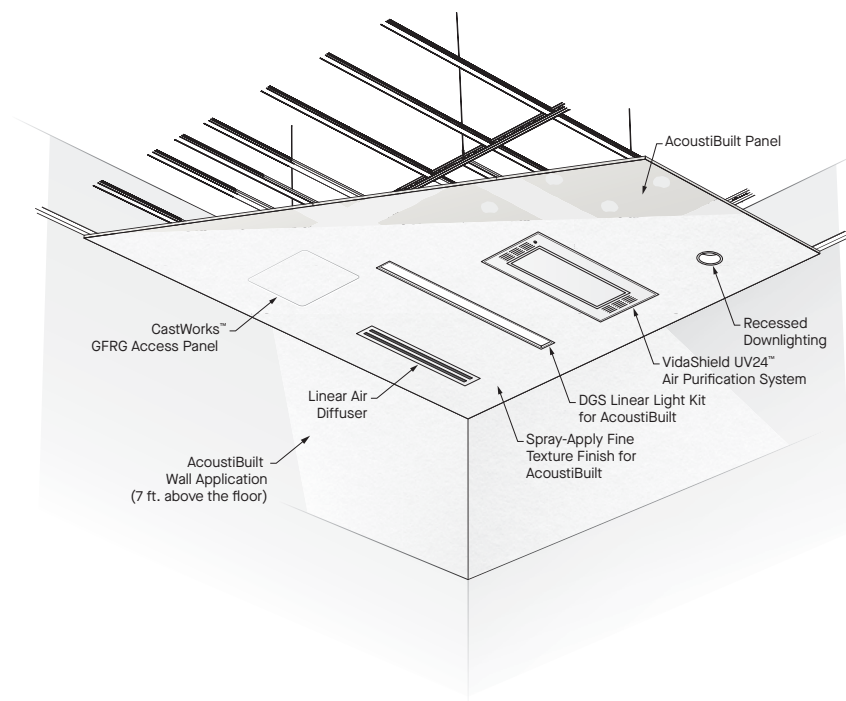
AcoustiBuilt® Seamless Acoustical Ceiling & Wall System

Design Details and Integration

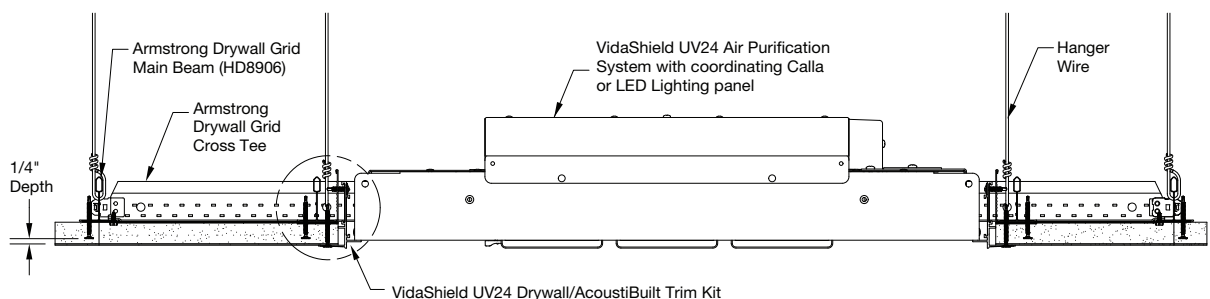
AcoustiBuilt® installed on FrameAll™ Drywall Grid in ceiling applications offers comparable compatibility to standard drywall and easily accommodates a wide variety of conventional and Armstrong partner light fixtures, HVAC diffusers, access doors, and transitions to standard acoustical ceiling systems. The AcoustiBuilt fine-texture finish can be used to coat most GFRG or metal access panels/doors in order to maintain a consistent finished ceiling visual.



AcoustiBuilt Ceiling System; Beiersdorf Office; Stamford, CT



VidaShield UV24™ with AcoustiBuilt Trim Kit

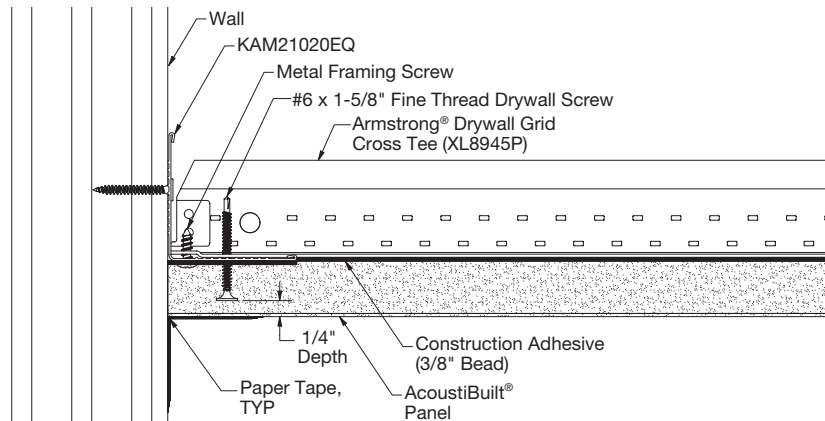


AcoustiBuilt® Seamless Acoustical Ceiling & Wall System

Typical Details

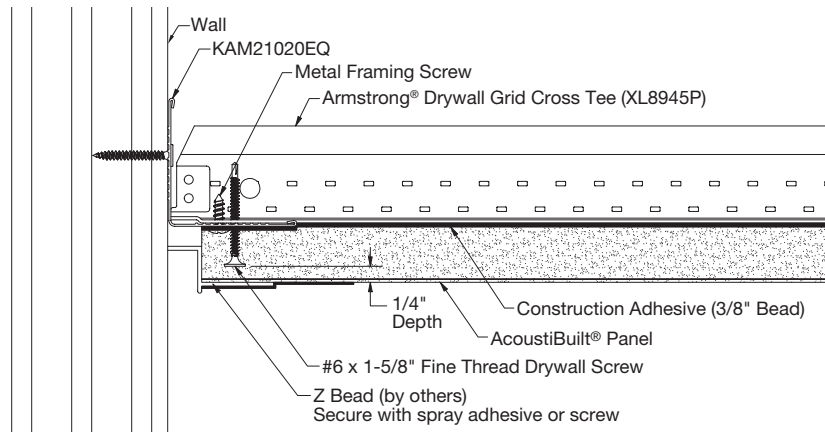
AcoustiBuilt® No Reveal at Wall

(Per ASTM C480, Section 20, ceilings without perimeter relief cannot exceed 30 LF and 900 SF between control joints)

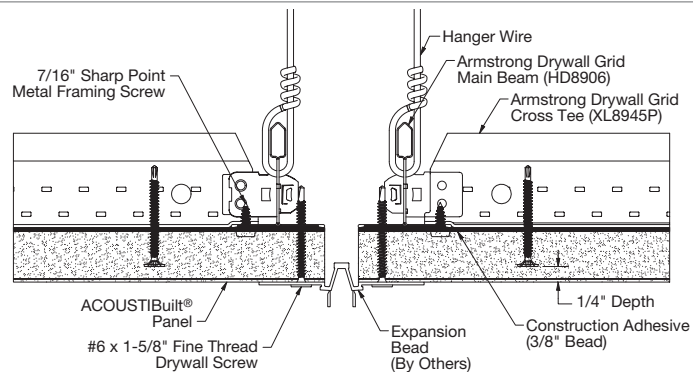


AcoustiBuilt® Reveal at Wall

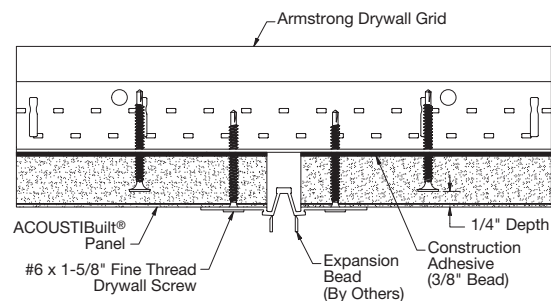
(Per ASTM C480, Section 20, ceilings with perimeter relief cannot exceed 50 LF and 2,500 SF between control joints)



Expansion Joint



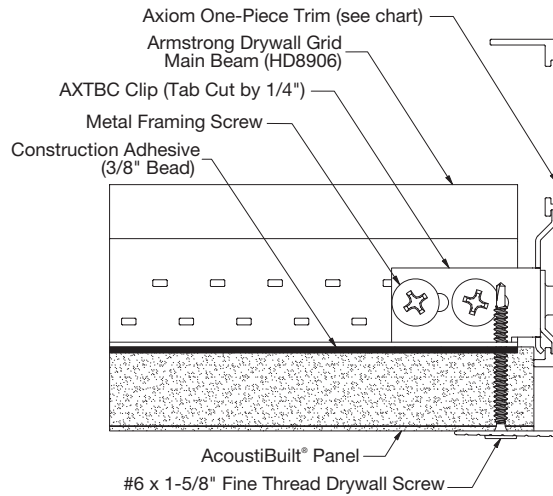
Control Joint



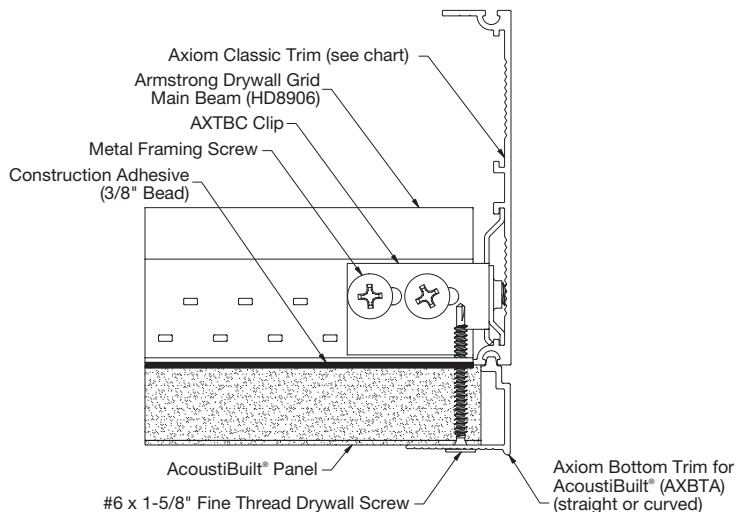
AcoustiBuilt® Seamless Acoustical Ceiling & Wall System

Floating Edge Details

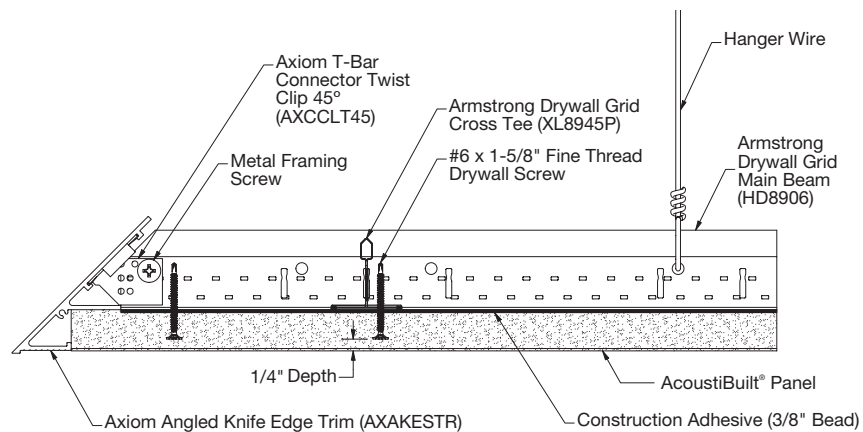
Axiom® One-Piece Trim



Axiom Classic with Axiom Bottom Trim for AcoustiBuilt®



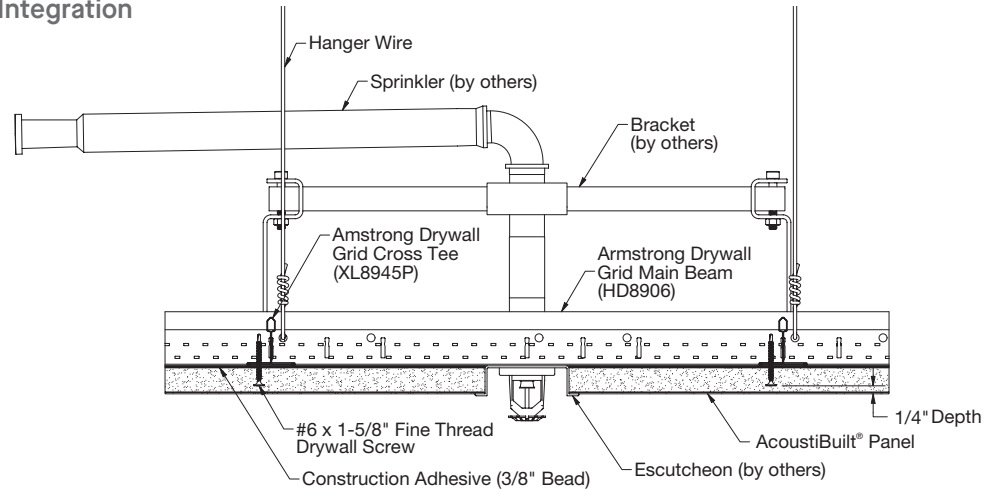
Axiom Angled Knife Edge® Trim



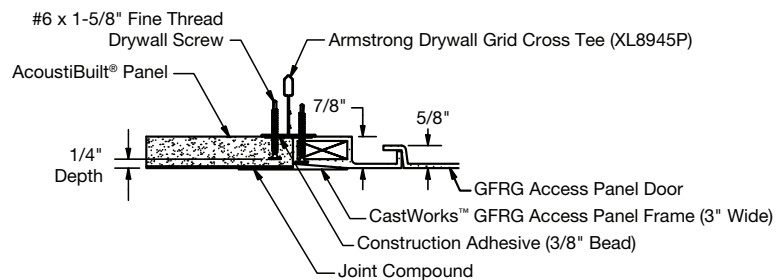
AcoustiBuilt® Seamless Acoustical Ceiling & Wall System

Common Integration Details

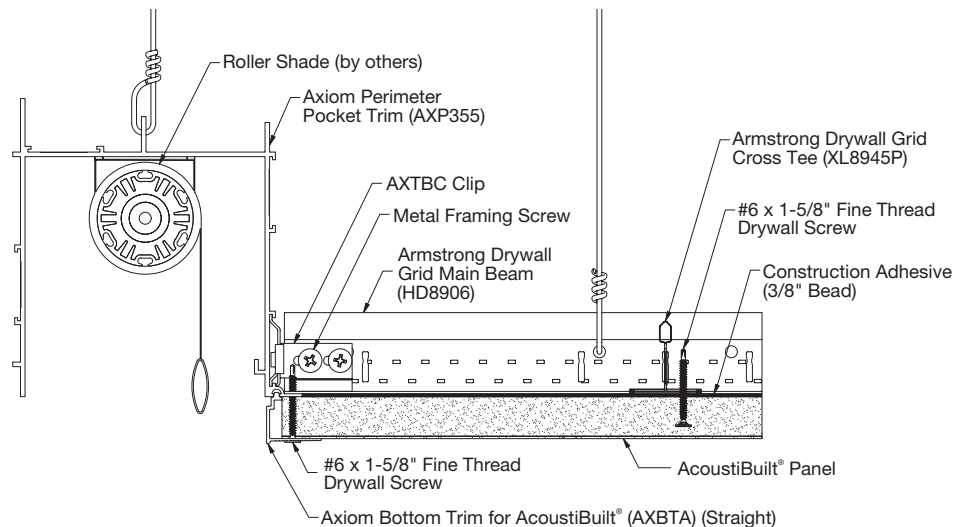
AcoustiBuilt® Sprinkler Integration



AcoustiBuilt with CastWorks™ GFRG Access Panel



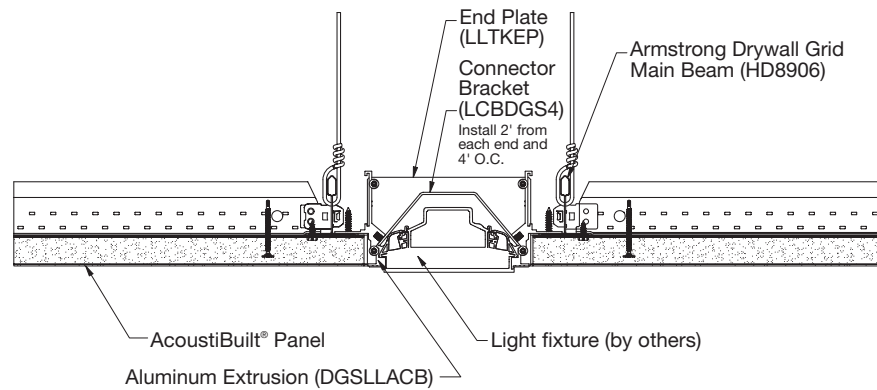
AcoustiBuilt with Axiom® Shade Pocket



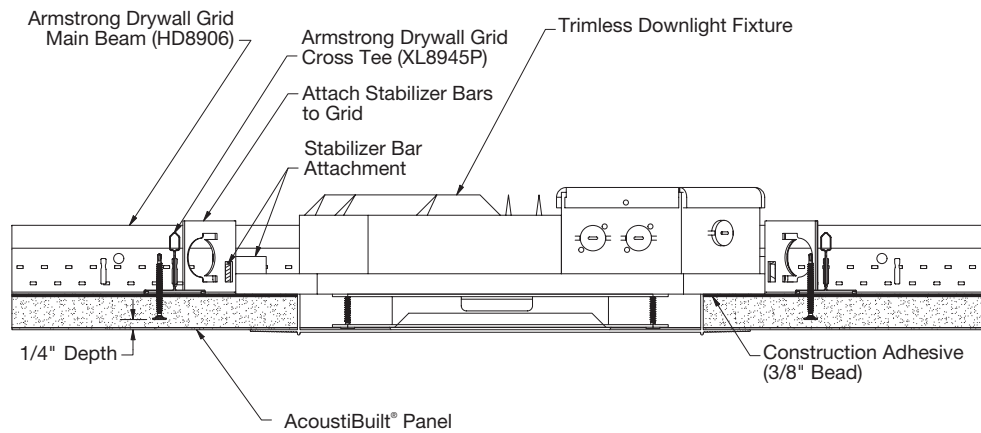
AcoustiBuilt® Seamless Acoustical Ceiling & Wall System

Lighting Integration Details

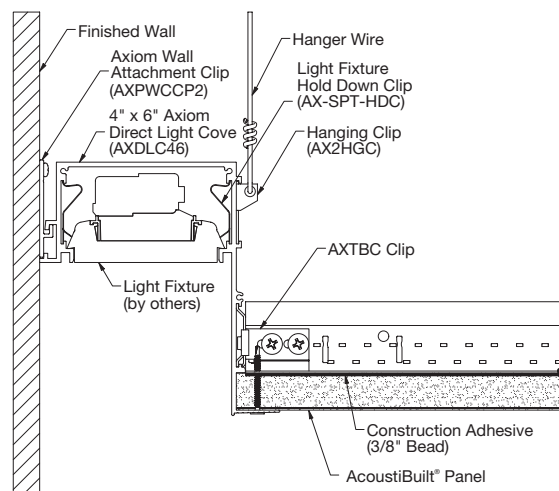
Axiom® Linear Lighting Kit for AcoustiBuilt® (Trimless)



Downlighting Integration



Axiom Direct Light Cove

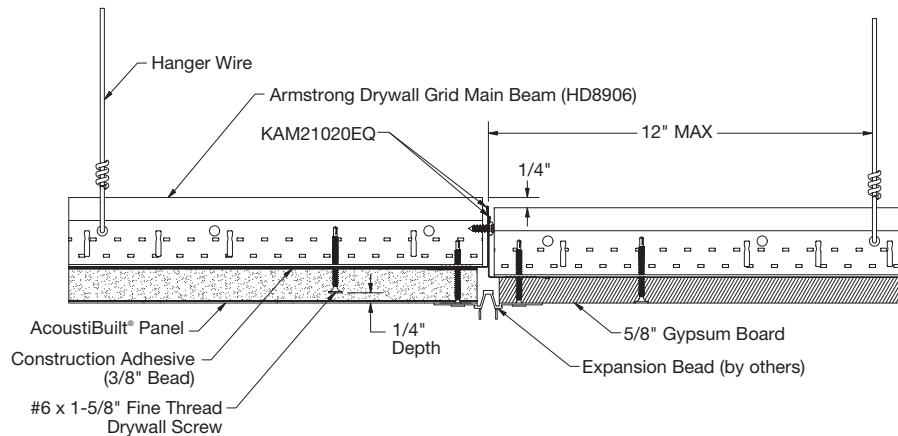


(Available Cove heights: 4" and 6")

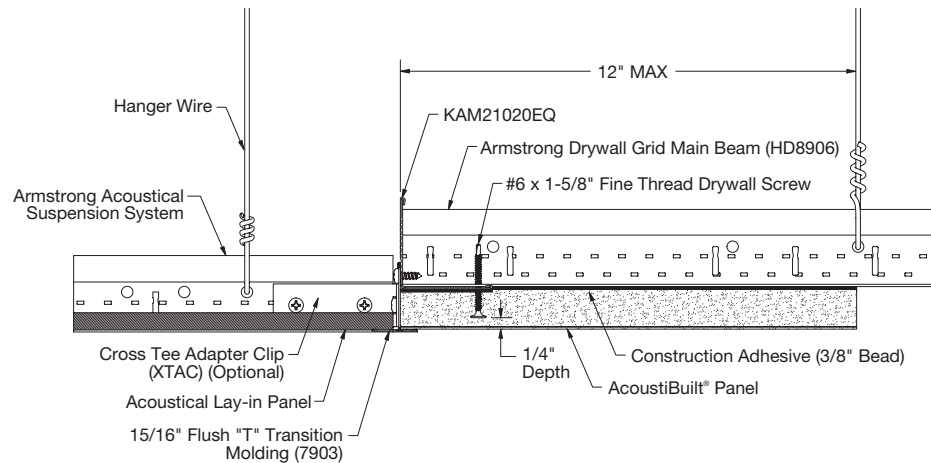
AcoustiBuilt® Seamless Acoustical Ceiling & Wall System

Typical Details

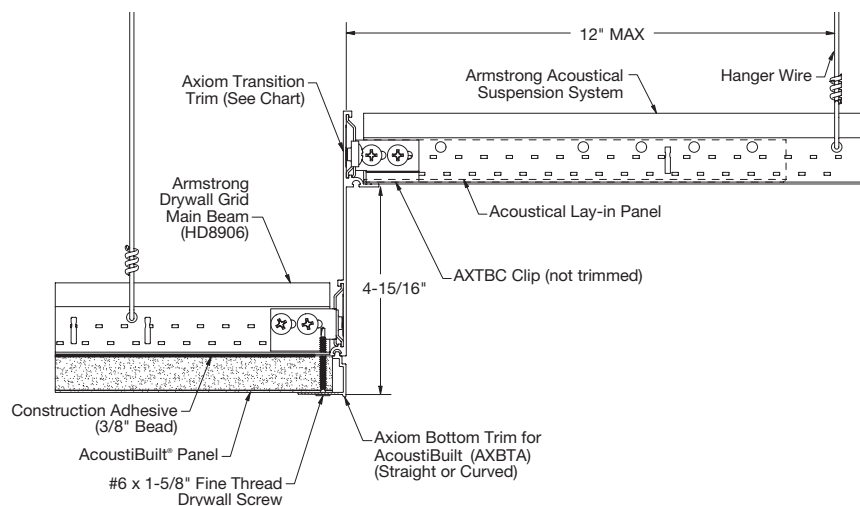
Flush Transition – AcoustiBuilt® to 5/8" Drywall



Flush Transition – AcoustiBuilt to 15/16" Acoustical Ceiling



Axiom® Transition – AcoustiBuilt to Acoustical Ceiling

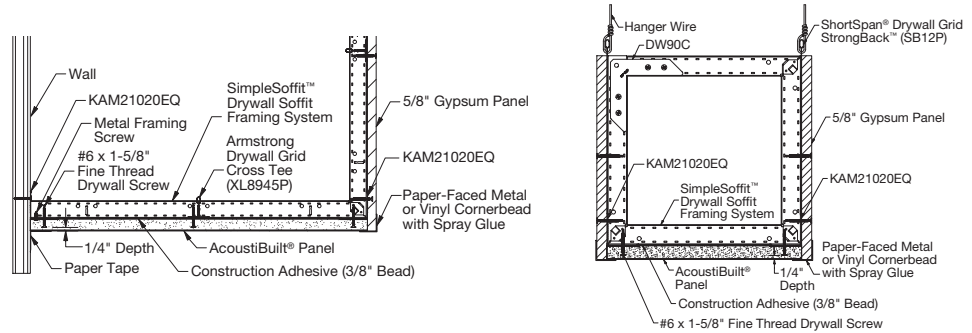


AcoustiBuilt® Seamless Acoustical Ceiling & Wall System

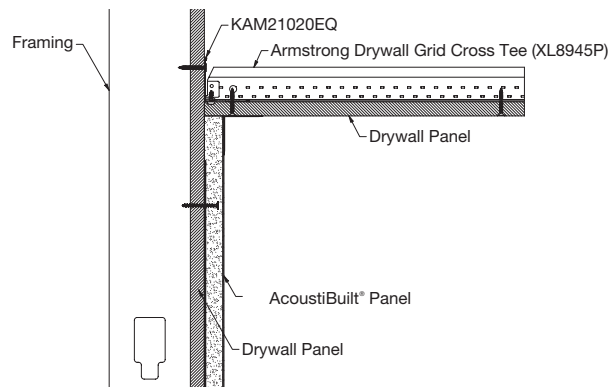
Wall and Soffit Details

AcoustiBuilt® with SimpleSoffit™ Drywall Framing System

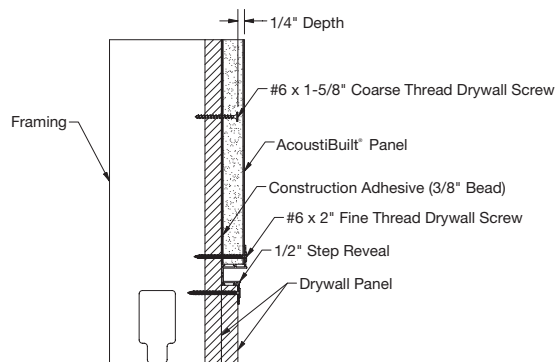
Use SimpleSoffit drywall framing system with AcoustiBuilt on soffits greater than 36" for improved acoustical performance.



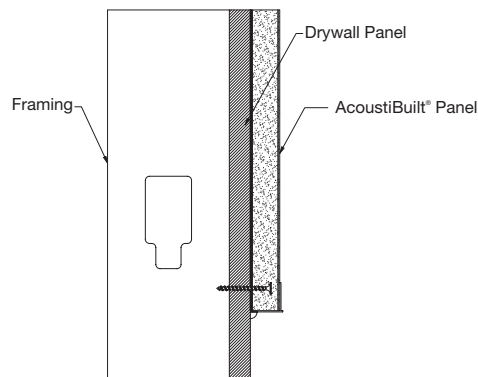
AcoustiBuilt Wall Finished to Drywall Ceiling



new Wall Reveal for AcoustiBuilt



AcoustiBuilt Wall – Step-to-Drywall with 7/8" L-Bead





AcoustiBuilt® Ceiling System: Children's Research Hospital; Memphis, TN

TAKE
THE NEXT
STEP

Experience, Above All™

877 276 7876

Customer Service Representatives
7:45 a.m. to 5:00 p.m. EST
Monday through Friday

TechLine – Technical information,
detail drawings, CAD design
assistance, installation information,
other technical services –
8:00 a.m. to 5:30 p.m. EST, Monday
through Friday. FAX 1 800 572 8324 or
email: techline@armstrongceilings.com

armstrongceilings.com/acoustibuilt

Latest product news

Standard and custom product information

Online catalog

CAD, Revit®, SketchUp® files

A Ceiling for Every Space®
Visual Selection Tool

Product literature and samples –
express service or regular delivery

Contacts – reps, where to buy,
who will install

 **ProjectWorks®**

armstrongceilings.com/projectworks

The power of **ProjectWorks®** Design
and Pre-Construction Service

Mix and match different sizes, shapes,
colors, and materials to reinvent your
standard, specialty, or custom ceiling.

Visit our pattern gallery online to see
ideas for your next project.
armstrongceilings.com/patterngallery

Contact your local representative to
get a design started! Not sure who
your local rep is?
Visit armstrongceilings.com/findarep

armstrongceilings.com/acoustibuilt

Revit® is a registered trademark of Autodesk, Inc.; SketchUp® is a registered trademark of Trimble, Inc.; LEED® is a registered trademark of the U.S. Green Building Council; WELL™ and WELL Building Standard® are trademarks of International WELL Building Institute; Declare® and Living Building Challenge® (LBC) are registered trademarks of the International Living Future Institute®; VidaShield UV24™ is the property of Medical Illumination International, Inc.; USAI® is a registered trademark of USAI Lighting, LLC; FlexHead® is a registered trademark of Anvil International; Price® is a registered trademark of Price Industries Limited; Axis is owned by Axis Lighting Inc.; XAL is owned by XAL, LLC; UL® and UL GreenGuard are registered trademarks of UL LLC; Titebond® is a trademark of Franklin International.; FibaFuse® Paperless Drywall Tape is a registered trademark of Saint-Gobain North America; All other trademarks used herein are the property of AWI Licensing LLC and/or its affiliates
© 2023 AWI Licensing LLC

Armstrong®
World Industries